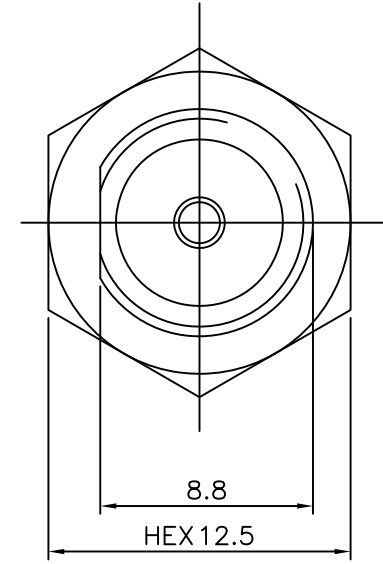
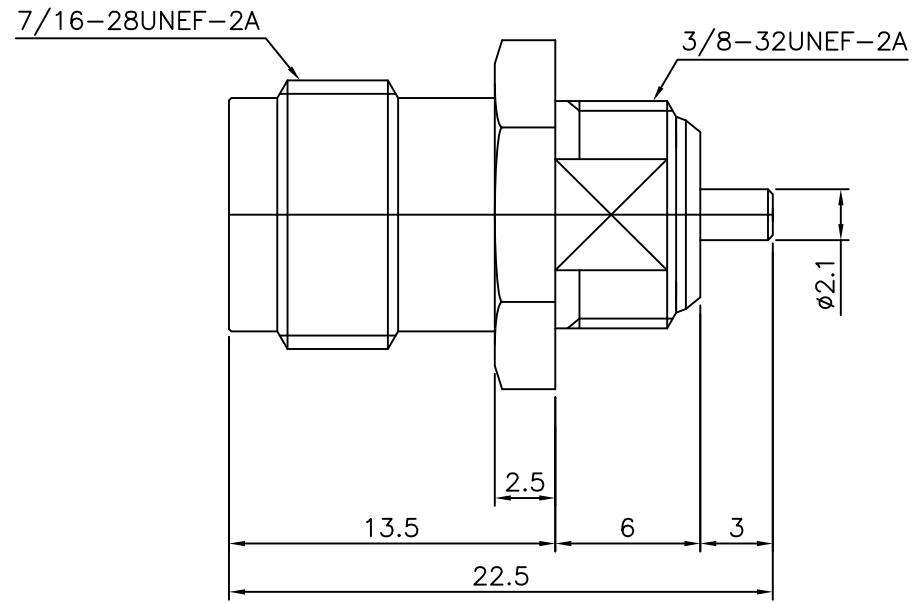


4	5	6	
No.	Revision	Date	Name
△	PN Change from 1T-602-6030	13/MAR/2014	S.J.PARK
△			



TNC-Bulkhead-JACK Receptacle

Item	Materials	Plating
Body	Brass	Nickel Plated
Center contact	Be-Cu	Gold Plated
Insulator	PTFE	-

NO.	DESCRIPTION	Q'TY	MATERIAL	FINISH	REMARKS.
PARTS No.	TNC-506-001	NAME	TNC-BR-Recep.		APPROVED
MATERIAL	FINISH	TOLERANCES OTHERWISE SPEC. ±0.05		ANGLES ±1°	CHECKED
SCALE		UNIT	mm		DESIGNED S.J.LEE
DWG NO.		TNC-506-001		DATE.	2004/2/16

CUSTOMER

