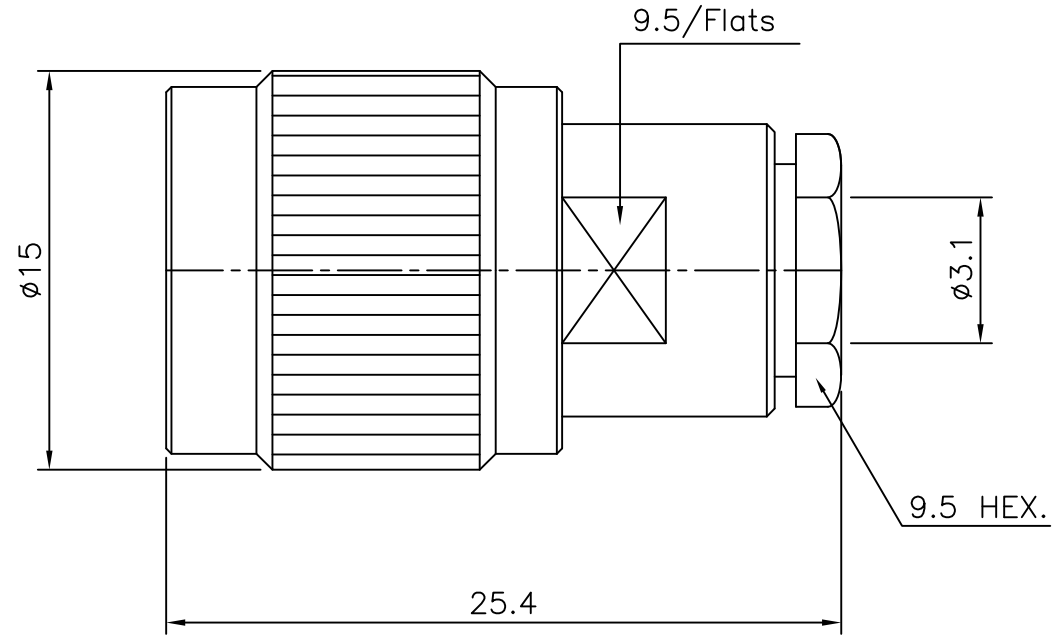


4	No.	Revision	Date	Name
	△	PN Change from 1T-122-003	07/AUG/2014	S.J.PARK
	△			

RoHS Compliant



TNC-Straight-PLUG
for Cable-RG316,174

Connector parts	Materials	Finish
Coupling Cap	Brass	Nickel Plated
Body,Nut	Brass	Nickel Plated
Center contact	Brass	Gold Plated
Insulator	PTFE	-

NO.	DESCRIPTION	Q'TY	MATERIAL	FINISH	REMARKS.
PARTS No.	TNC-111-007	NAME	TNC-SP-316Clamp		APPROVED
MATERIAL	FINISH	TOLERANCES OTHERWISE SPEC. ±0.05		ANGLES ±1°	CHECKED
SCALE		UNIT	mm		DESIGNED S.J.LEE
DWG NO.		TNC-111-007		DATE.	06/DEC/2010

CUSTOMER

