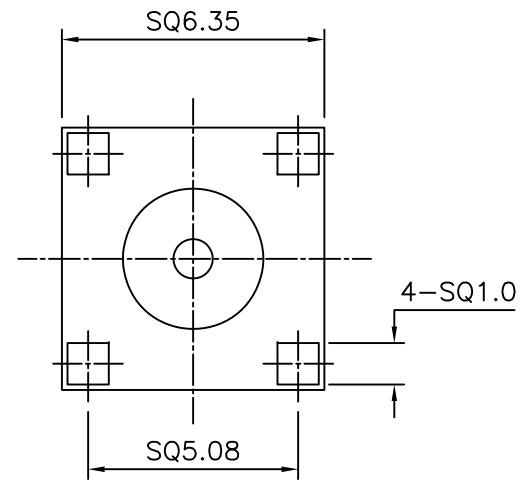
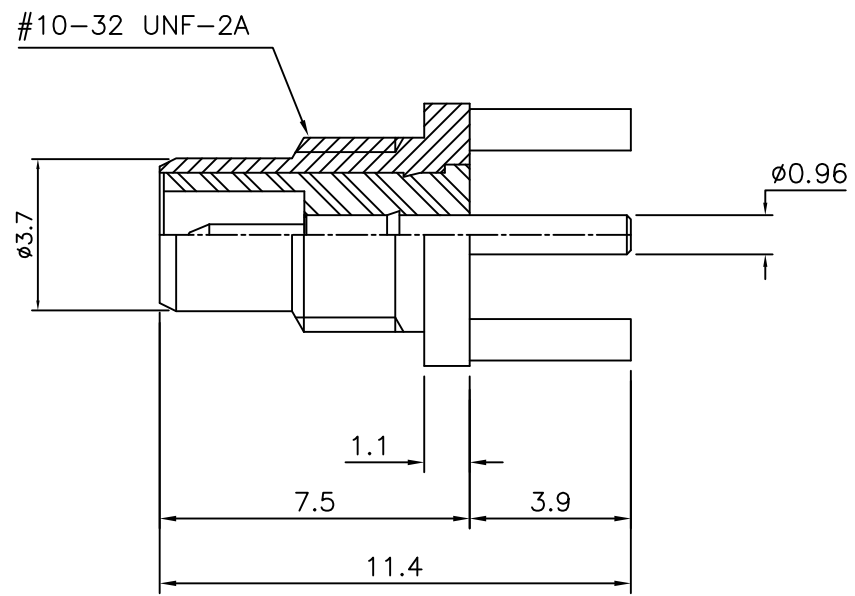


4	5	6
No.	Revision	Date
△	PN Change from 1C-521-00	12/FEB/2014
△		
Name		Name
		B.G.YUN

RoHS Compliant



SMC STRAIGHT male JACK  
-PCB MOUNT

Connector parts	Materials	Finish
Body	Brass	Gold Plated
Center contact	Brass	Gold Plated
Insulator	PTFE	-

CUSTOMER

NO.	DESCRIPTION	Q'TY	MATERIAL	FINISH	REMARKS.
PARTS No.	SMC-602-001	NAME	SMC-ST PCB JACK		APPROVED
MATERIAL	FINISH	TOLERANCES OTHERWISE SPEC. ±0.05		ANGLES ±1°	CHECKED
SCALE		UNIT	mm		DESIGNED S.J.LEE
DWG NO.		SMC-602-001		DATE.	23/JUL/2012

