

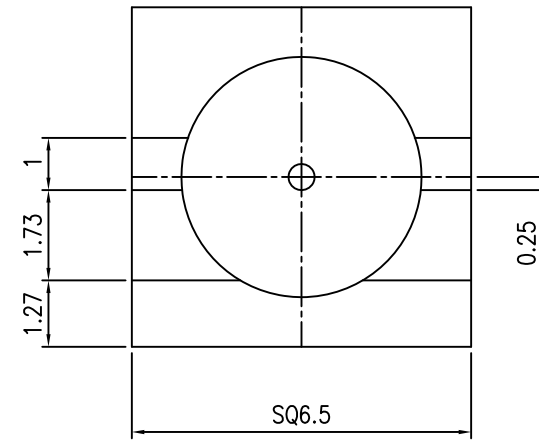
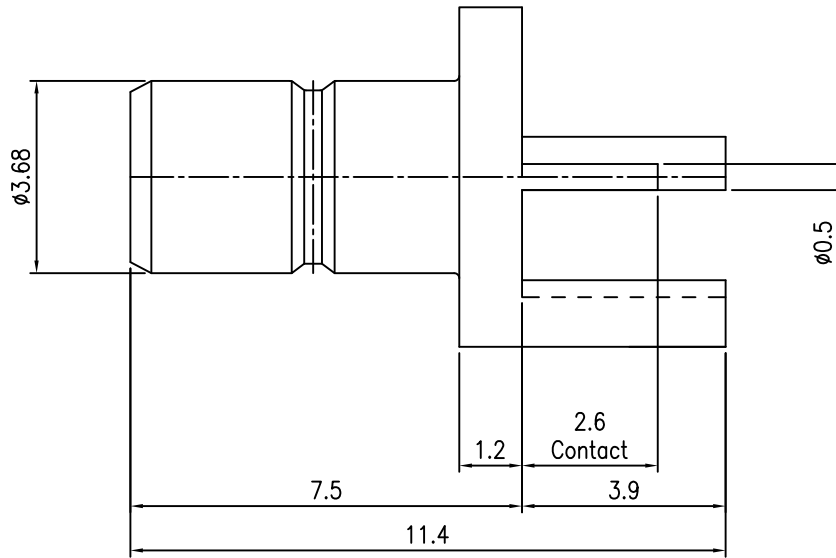
1 2 3 4 5 6

No.	Revision	Date	Name
1	PN Change from 1P75-522-S160	21/FEB/2014	S.J.PARK

SPECIFICATION

Impedance : 75 ohm
 Insulation Resistance : min. 1000megohms
 Working Voltage : 250V
 Durability : 500 cycles min
 Contact Resistance Inner Conductor : < 1.0mΩ

D
C
B
A



SMB End Launch JACK Receptacle-75 OHm
 -Round Contact(1.60mm PCB)

Item	Materials	Plating
Body	Brass	Gold Plated
Center contact	Brass	Gold Plated
Insulator	PTFE	-

CUSTOMER

NO.	DESCRIPTION	Q'TY	MATERIAL	FINISH	REMARKS.
PARTS No.	SMB75-604-003	NAME	SMB-SJ SIDE PCB		APPROVED
MATERIAL	FINISH	TOLERANCES	OTHERWISE SPEC. ± 0.05 ANGLES $\pm 1^\circ$		CHECKED
SCALE	UNIT	mm		DESIGNED	S.J.LEE
DWG NO.	SMB75-604-003			DATE.	08/AUG/2007



DONGJIN TI.