

1                      2                      3                      4                      5                      6

No.	Revision	Date	Name
1	PN Change from 1P75-522-S130	21/FEB/2014	S.J.PARK

**SPECIFICATION**

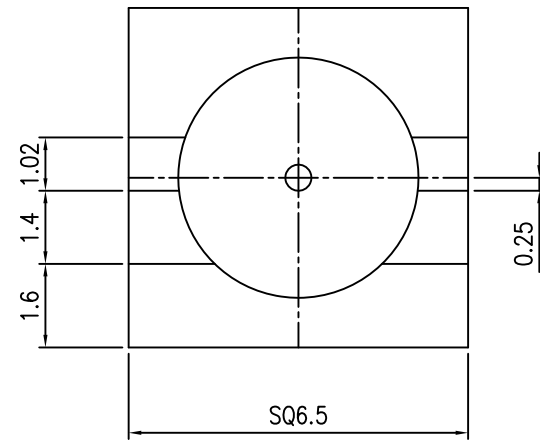
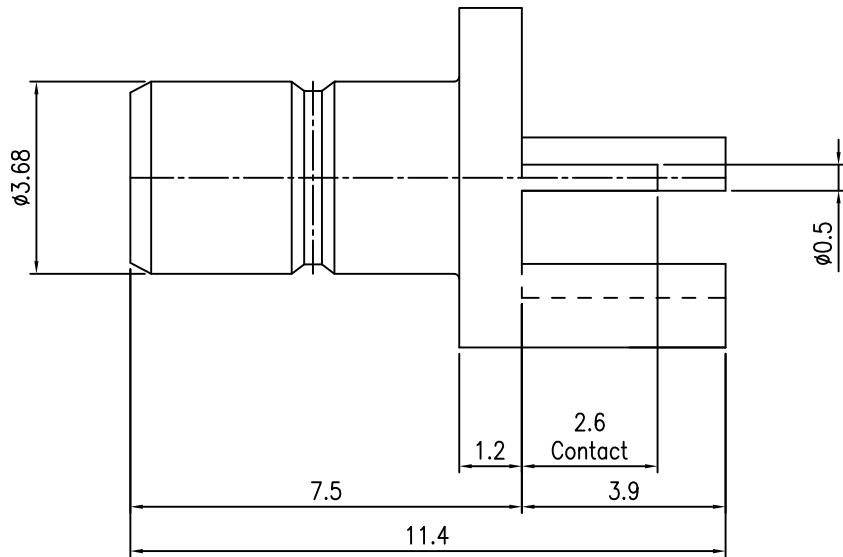
Impedance : 75 ohm  
 Insulation Resistance : min. 1000megohms  
 Working Voltage : 250V  
 Durability : 500 cycles min  
 Contact Resistance Inner Conductor : < 1.0mΩ

D

C

B

A



SMB End Launch JACK Receptacle-75 OHm  
 -Round Contact(1.30mm PCB)

Item	Materials	Plating
Body	Brass	Gold Plated
Center contact	Brass	Gold Plated
Insulator	PTFE	-

**CUSTOMER**

NO.	DESCRIPTION	Q'TY	MATERIAL	FINISH	REMARKS.
PARTS No. SMB75-604-002		NAME SMB-SJ SIDE PCB		APPROVED	
MATERIAL		FINISH		TOLERANCES OTHERWISE SPEC. ±0.05 ANGLES ±1°	
SCALE		UNIT mm		DESIGNED S.J.LEE	
DWG NO. SMB75-604-002		DATE. 08/AUG/2007			

