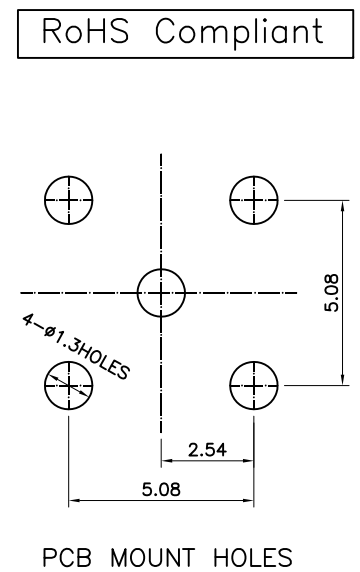
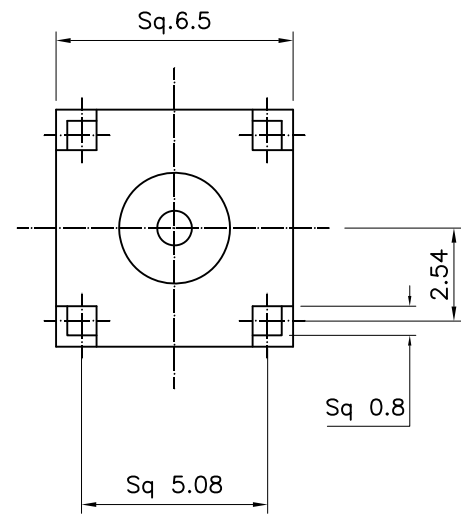
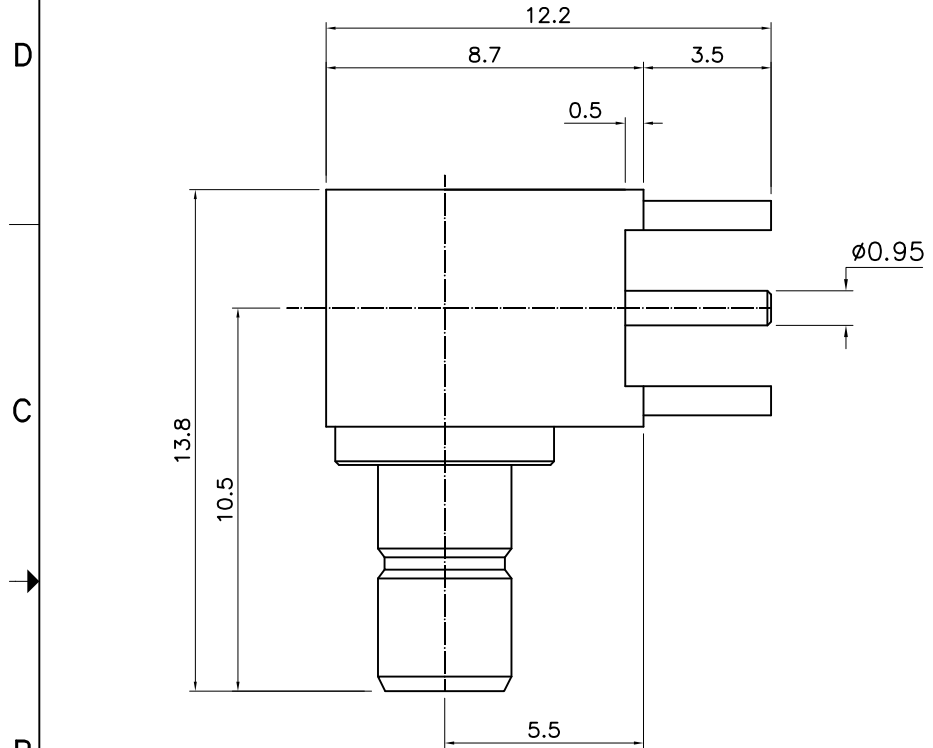


No.	Revision	Date	Name
△	PN Change from 1P-702-00	20/06/2013	B.G.YUN
△			



RoHS Compliant

Electrical Data  
 Impedance : 50Ω  
 Frequency range : DC~4 GHz  
 Insulation resistance:1000Mohms  
 Voltage rating : 500V RMS  
 V.S.W.R : ≤1.20  
 Temperature range : -65°C~+125°C

SMB-Right Angle-JACK  
 PCB

Item	Materials	Plating
Body	Brass	Gold Plated
Center contact	Brass	Gold Plated
Insulator	PTFE	-

CUSTOMER

NO.	DESCRIPTION	Q'TY	MATERIAL	FINISH	REMARKS.
PARTS No.	SMB-608-001		NAME	SMB-LJ-PCB	APPROVED
MATERIAL	FINISH	TOLERANCES OTHERWISE SPEC. ±0.05		ANGLES ±1°	CHECKED
		SCALE	UNIT		DESIGNED S.J.LEE
			mm		DATE. 2002/5/06
		DWG NO.		SMB-608-001	