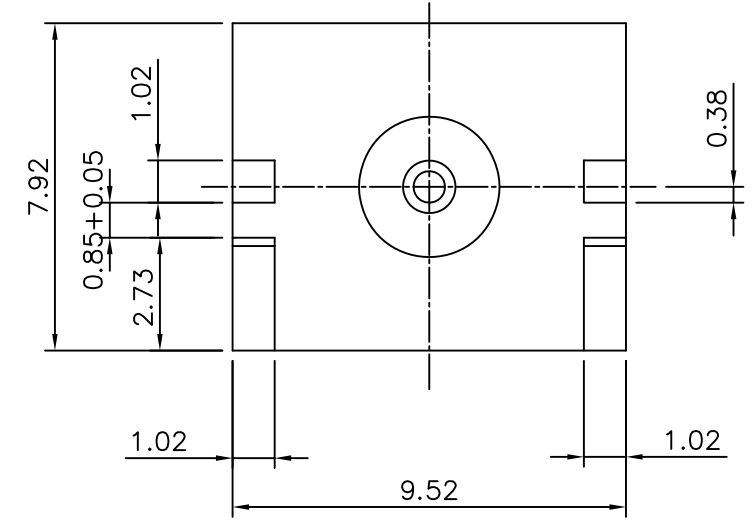
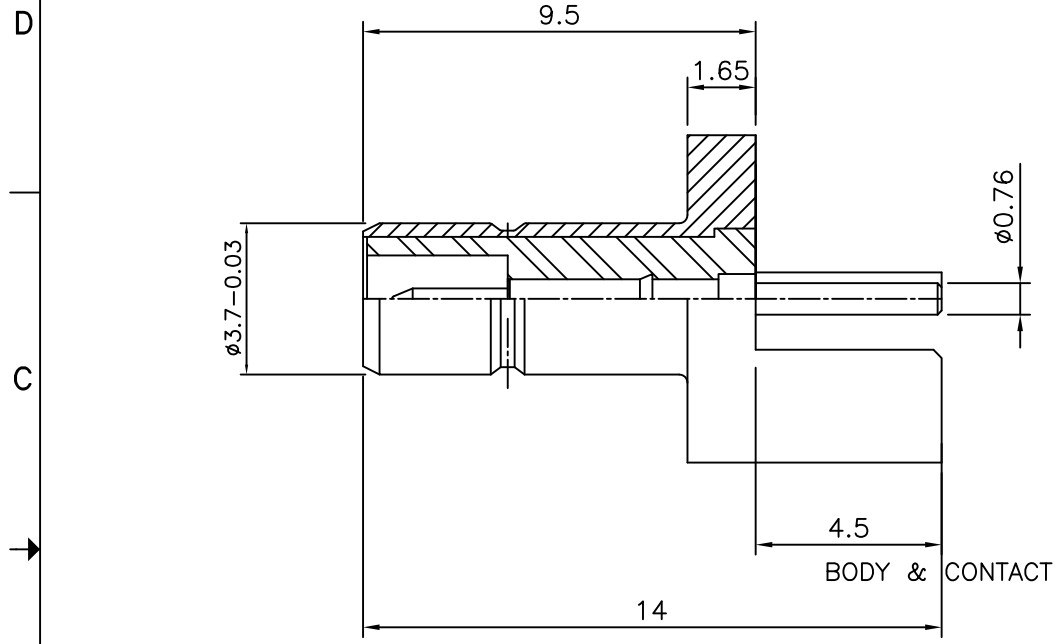


|     |                            |             |          |
|-----|----------------------------|-------------|----------|
| No. | Revision                   | Date        | Name     |
| 1   | PN Change from 1P-522-W080 | 23/SEP/2013 | S.J.PARK |
|     |                            |             |          |



SMB End Launch JACK Receptacle  
-Round Contact(0.80mm PCB)

| Connector parts | Materials | Finish      |
|-----------------|-----------|-------------|
| Body            | Brass     | Gold Plated |
| Center contact  | Brass     | Gold Plated |
| Insulator       | PTFE      | -           |

CUSTOMER

| NO.       | DESCRIPTION | Q'TY                                | MATERIAL          | FINISH     | REMARKS.            |
|-----------|-------------|-------------------------------------|-------------------|------------|---------------------|
| PARTS No. | SMB-604-002 | NAME                                | SMB-SIDE PCB JACK |            | APPROVED            |
| MATERIAL  | FINISH      | TOLERANCES<br>OTHERWISE SPEC. ±0.05 |                   | ANGLES ±1° | CHECKED             |
| SCALE     |             | UNIT                                | mm                |            | DESIGNED<br>S.J.LEE |
| DWG NO.   |             | SMB-604-002                         |                   | DATE.      | 2004/6/03           |

