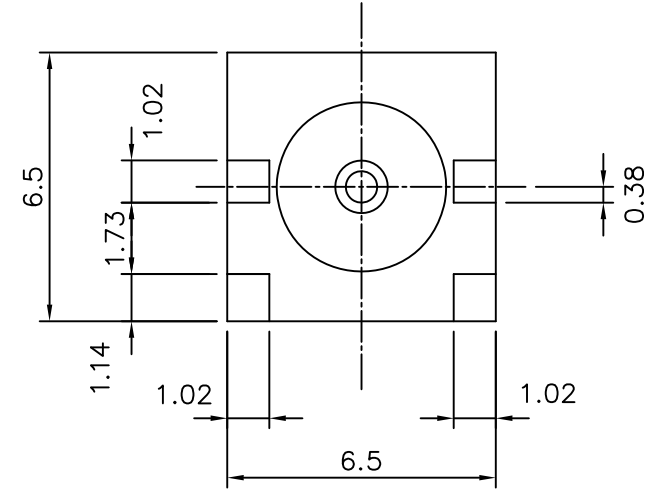
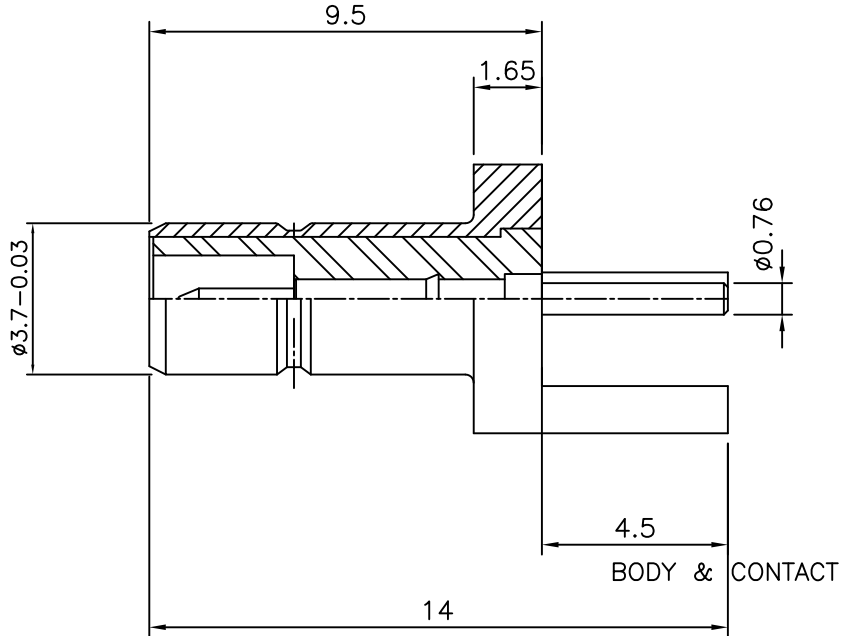


4	5	6	
No.	Revision	Date	Name
△	PN Change from 1P-522-S160	27/11/2013	B.G.YUN
△			



SMB End Launch JACK Receptacle  
-Round Contact(1.57mm PCB)

Connector parts	Materials	Finish
Body	Brass	Gold Plated
Center contact	Brass	Gold Plated
Insulator	PTFE	-

**CUSTOMER**

NO.	DESCRIPTION	Q'TY	MATERIAL	FINISH	REMARKS.
PARTS No.	SMB-604-001	NAME	SMB-SIDE PCB JACK		APPROVED
MATERIAL	FINISH	TOLERANCES OTHERWISE SPEC. ±0.05		ANGLES ±1°	CHECKED
		SCALE	UNIT mm		DESIGNED S.J.LEE
		DWG NO.	SMB-604-001		DATE. 09/NOV/2004