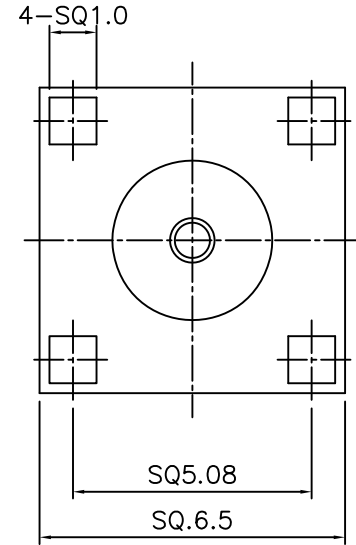
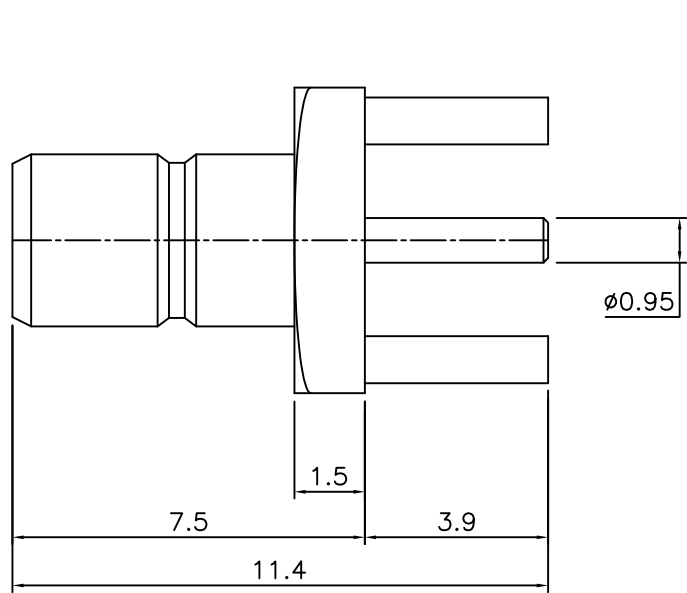


No.	Revision	Date	Name
△1	PN Change from 1P-502-0039	20/FEB/2014	S.J.PARK
△			

RoHS Compliant



SMB-Straight JACK-PCB

Item	Materials	Plating
Body	Brass	Gold Plated
Center contact	Brass	Gold Plated
Insulator	PTFE	-

**CUSTOMER**

NO.	DESCRIPTION	Q'TY	MATERIAL	FINISH	REMARKS.
PARTS No.	SMB-602-002	NAME	SMB-SJ-PCB		APPROVED
MATERIAL	FINISH	TOLERANCES OTHERWISE SPEC. ±0.05		ANGLES ±1°	CHECKED
		SCALE	UNIT mm		DESIGNED S.J.LEE
DONGJIN TI.		DWG NO.	SMB-602-002		DATE. 2002/6/25