

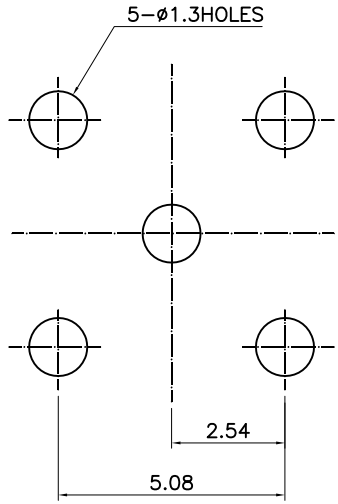
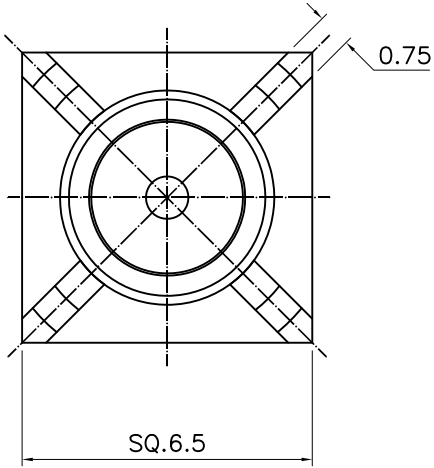
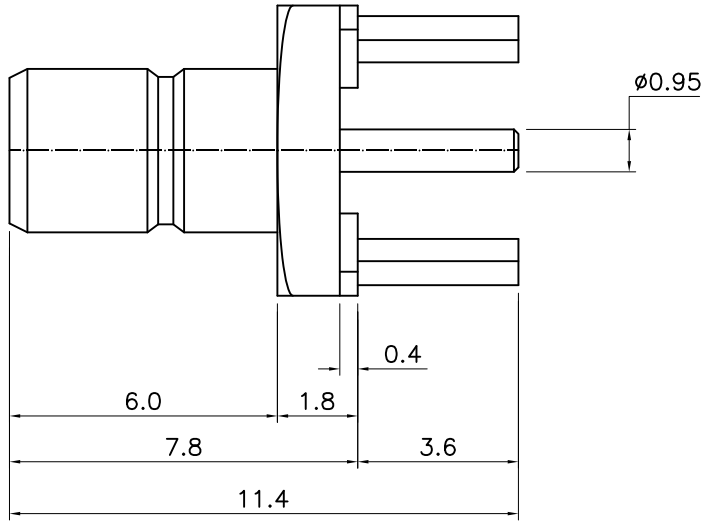
1 2 3 4 5 6

No.	Revision	Date	Name
▲	PN Change from 1P-502-00	15/07/2013	B.G.YUN
▲			

SPECIFICATIONS

- 1. IMPEDANCE: 50 Ohm;
- 2. FREQUENCY RANGE: 0~4GHz;
- 3. VOLTAGE RATING: 335Vrms;
- 4. INSERTION LOSS: 0.6dB Max;
- 5. INSULATION RESISTANCE: 1000M Ohm.

RoHS Compliant



SMB-Straight PCB-JACK

Item	Materials	Plating
Body	Brass	Gold Plated
Center contact	Brass	Gold Plated
Insulator	PTFE	-

NO.	DESCRIPTION	Q'TY	MATERIAL	FINISH	REMARKS.
PARTS No.	SMB-602-001		NAME	SMB-Straight PCB-JACK	APPROVED
MATERIAL	FINISH	TOLERANCES OTHERWISE SPEC. ±0.05		ANGLES ±1°	CHECKED
SCALE		UNIT	mm		DESIGNED S.J.LEE
DWG NO.		SMB-602-001		DATE.	15/JUL/2013

CUSTOMER

