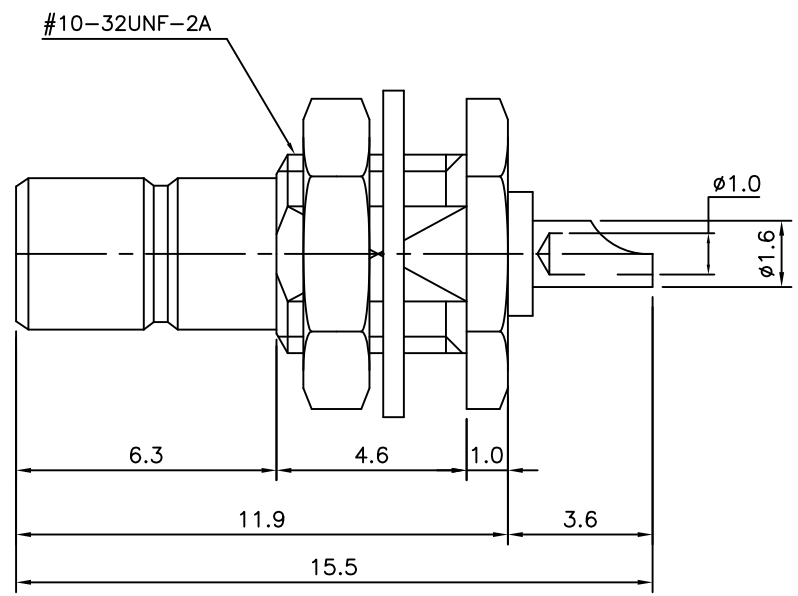
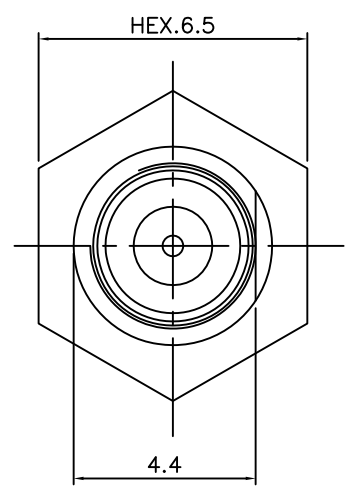


No.	Revision	Date	Name
△	PN Change from 1P-602-R00-ND	20/12/2013	B.G.YUN
△			

RoHS Compliant



SMB Bulkhead Receptacle  
Rear Mount-JACK (Solder pot)

Connector parts	Materials	Finish
Body,Nut	Brass	Gold Plated
Center contact	Brass	Gold Plated
Insulator	PTFE	-

**CUSTOMER**

NO.	DESCRIPTION	Q'TY	MATERIAL	FINISH	REMARKS.
PARTS No.	SMB-506-005	NAME	SMB-BR-JACK		APPROVED
MATERIAL	FINISH	TOLERANCES OTHERWISE SPEC. ±0.05		ANGLES ±1°	CHECKED
		SCALE	UNIT mm		DESIGNED S.J.LEE
		DWG NO.	SMB-506-005		DATE. 27/JAN/2007

