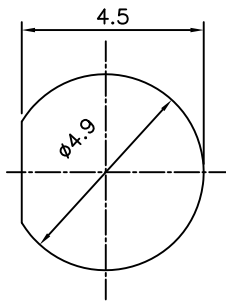
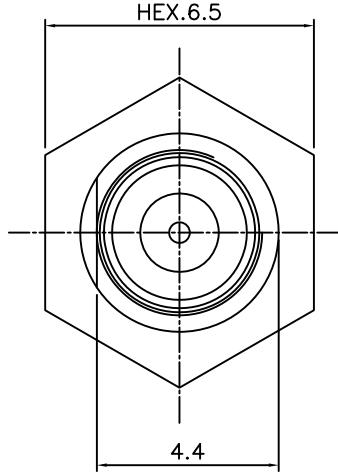
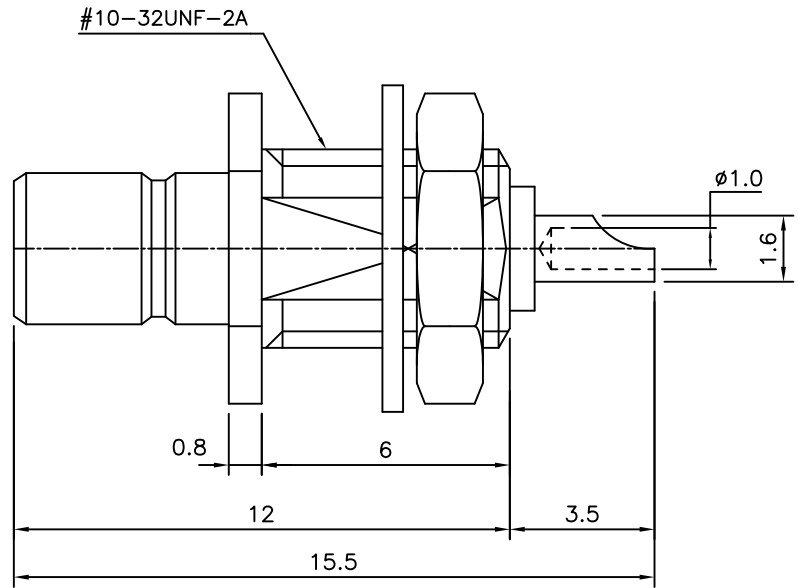


4	5	6	
No.	Revision	Date	Name
△	PN Change from 1P-602-6240	01/07/2013	B.G.YUN
△			

RoHS Compliant



MOUNT HOLE

NOTES:  
 IMPEDANCE : 50 OHm  
 FREQUENCY RANGE : DC~4.0 GHz  
 CONTACT CURRENT : DC 1.5A MAX.  
 VOLTAGE RATING : 250V RMS  
 V.S.W.R : ≤1.2:1  
 TEMPERATURE RANGE : -45°C~+125°C

SMB Bulkhead Receptacle  
 Front Mount-JACK (Solder pot)

Connector parts	Materials	Finish
Body,Nut	Brass	Gold Plated
Center contact	Brass	Gold Plated
Insulator	PTFE	-

**CUSTOMER**

NO.	DESCRIPTION	Q'TY	MATERIAL	FINISH	REMARKS.
PARTS No.	SMB-506-004	NAME	SMB-BR-JACK		APPROVED
MATERIAL	FINISH	TOLERANCES OTHERWISE SPEC. ±0.05		ANGLES ±1°	CHECKED
SCALE		UNIT	mm		DESIGNED S.J.LEE
DWG NO.		SMB-506-004		DATE. 14/DEC/2010	

