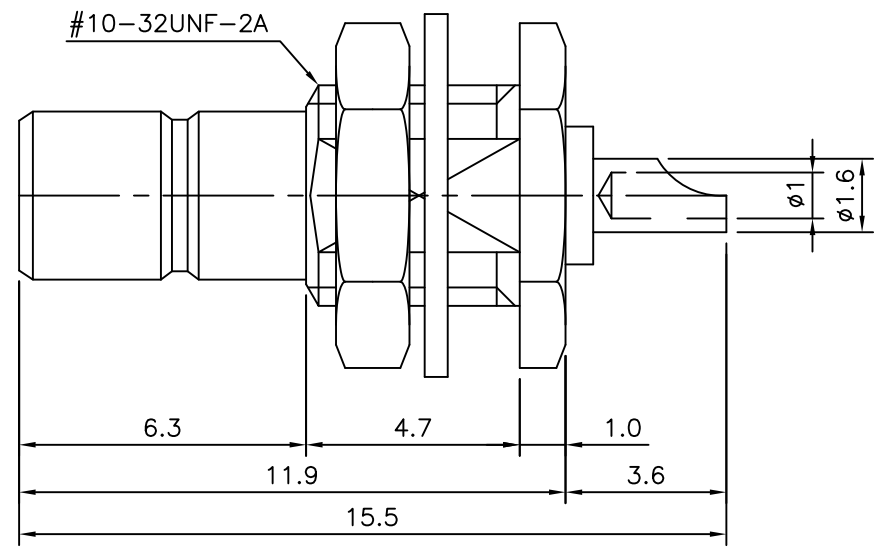
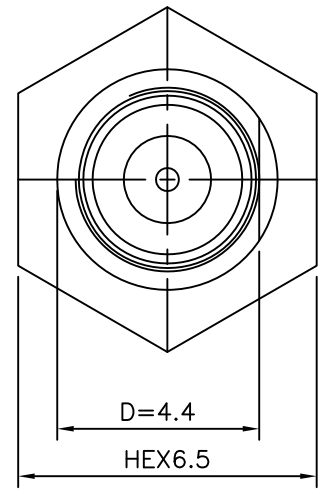


4	No.	Revision	5	Date	6	Name
	△	PN Change from 1P-602-R00		20/FEB/2014		S.J.PARK
	△					

RoHS Compliant



SMB Bulkhead Receptacle
Rear Mount-JACK (Solder pot)

Connector parts	Materials	Finish
Body,Nut,Washer	Brass	Gold Plated
Center contact	Brass	Gold Plated
Insulator	PTFE	-

CUSTOMER

NO.	DESCRIPTION	Q'TY	MATERIAL	FINISH	REMARKS.
PARTS No.	SMB-506-002		NAME	SMB-BR-JACK	APPROVED
MATERIAL	FINISH	TOLERANCES			CHECKED
		OTHERWISE SPEC. ±0.05		ANGLES ±1°	
		SCALE	UNIT		DESIGNED
			mm		S.J.LEE
		DWG NO.	SMB-506-002		DATE.
					27/JAN/2007

