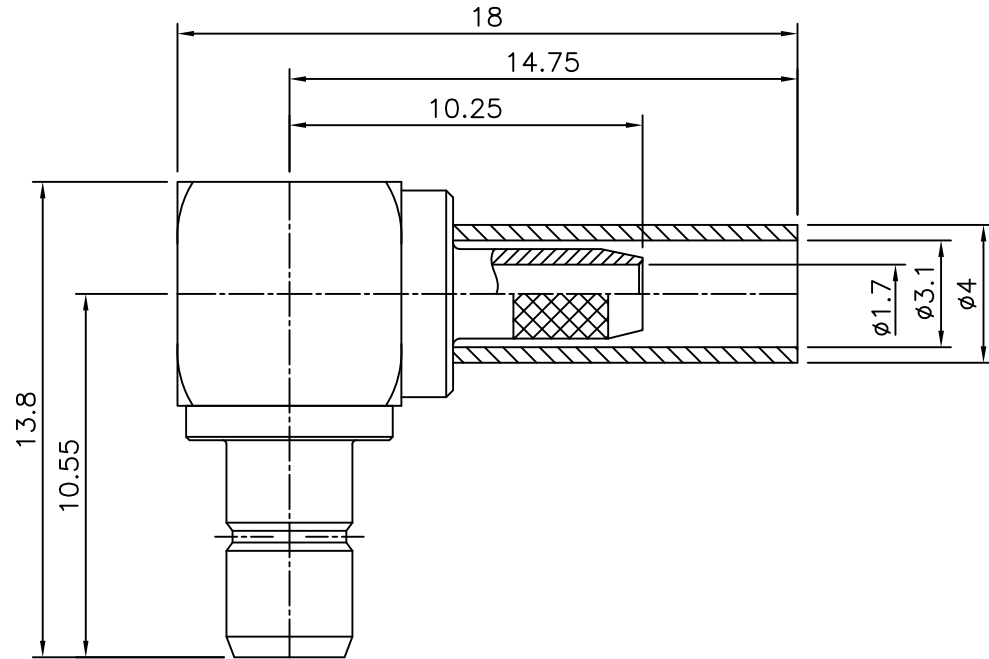


No.	Revision	Date	Name
△	PN Change from 1P-321-00	14/FEB/2014	S.J.PARK
△			

RoHS Compliant



SMB-Right Angle JACK
for Cable-RG316

Connector parts	Materials	Finish
Body	Brass	Gold Plated
Center contact	Brass	Gold Plated
Insulator	PTFE	-
Ferrule	Brass	Gold Plated

CUSTOMER

NO.	DESCRIPTION	Q'TY	MATERIAL	FINISH	REMARKS.
PARTS No.	SMB-311-002		NAME	SMA-RA JACK 316	APPROVED
MATERIAL	FINISH	TOLERANCES OTHERWISE SPEC. ±0.05		ANGLES ±1°	CHECKED
		SCALE	UNIT mm		DESIGNED S.J.LEE
DONGJIN TI.		DWG NO.		SMB-311-002	DATE. 06/SEP/2007