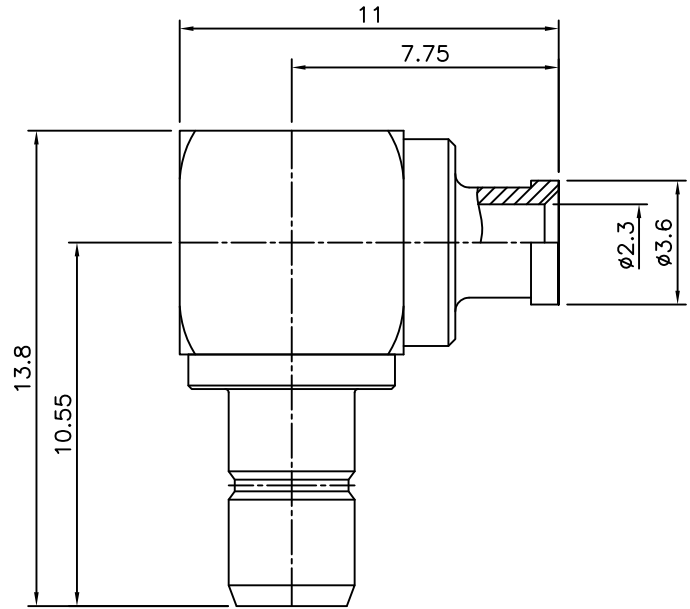


1 2 3 4 5 6

No.	Revision	Date	Name
△			
△			

RoHS Compliant



SMB-Right Angle-JACK
for Cable-UT085

Connector parts	Materials	Finish
Sleeve	Brass	Gold Plated
Body	Brass	Gold Plated
Center contact	Brass	Gold Plated
Insulator	PTFE	-

NO.	DESCRIPTION	Q'TY	MATERIAL	FINISH	REMARKS.
PARTS No.	SMB-301-002	NAME	SMA-RA JACK 085		APPROVED
MATERIAL	FINISH	TOLERANCES OTHERWISE SPEC. ±0.05		ANGLES ±1°	CHECKED
SCALE		UNIT	mm		DESIGNED S.J.LEE
DWG NO.		SMB-301-002		DATE.	06/SEP/2007

CUSTOMER

