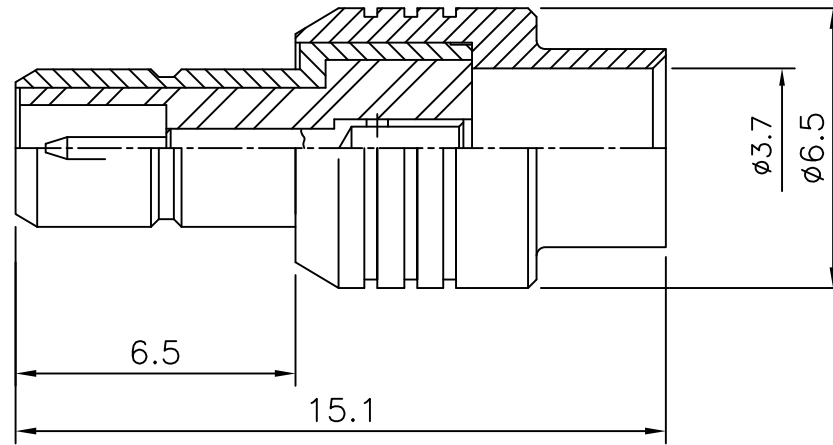


4	No.	Revision	Date	Name
	△	PN Change from 1P-202-00	17/SEP/2013	S.J.PARK
	△			

RoHS Compliant



SMB-Straight-JACK
for Cable-RG402

Connector parts	Materials	Finish
Body	Brass	Gold Plated
Center contact	Brass	Gold Plated
Insulator	TEFLON	-

CUSTOMER

NO.	DESCRIPTION	Q'TY	MATERIAL	FINISH	REMARKS.
PARTS No.	SMB-202-001		NAME	SMB-SJ-402	APPROVED
MATERIAL	FINISH	TOLERANCES OTHERWISE SPEC. ±0.05		ANGLES ±1°	CHECKED
		SCALE	UNIT mm		DESIGNED S.J.LEE
		DWG NO.	SMB-202-001		DATE. 2001.05/07