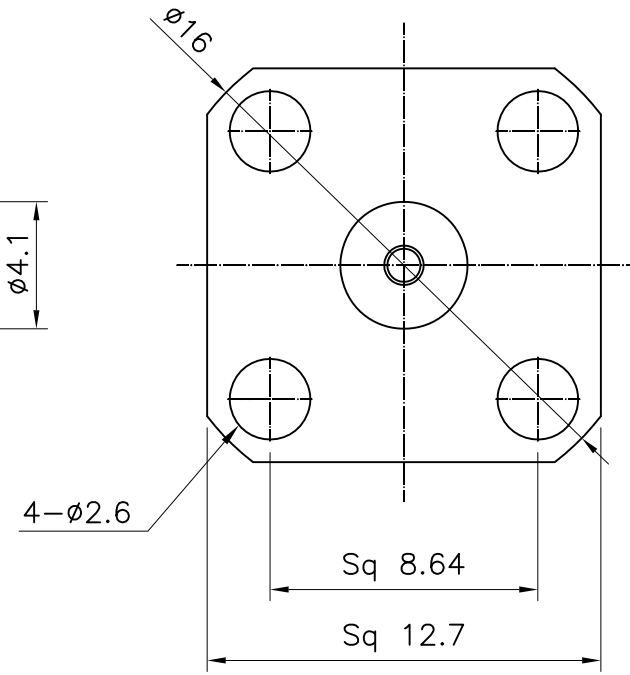
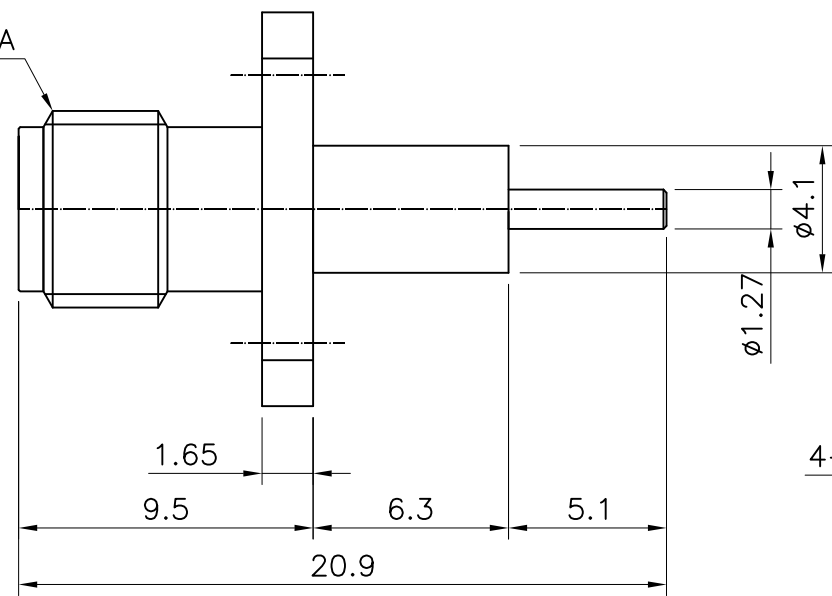


4	No.	Revision	Date	Name
	△			
	△			

RoHS Compliant

1/4-36UNS-2A



SMA Straight JACK
4H-PANEL Receptacle

Connector parts	Materials	Finish
Body	Brass	Gold Plated
Center contact	Beryllium copper	Gold Plated
Insulator	PTFE	-

CUSTOMER

NO.	DESCRIPTION	Q'TY	MATERIAL	FINISH	REMARKS.
PARTS No.	SMA-504-126	NAME	SMA-F-4H-Receptacle		APPROVED S.J.LEE
MATERIAL	FINISH	TOLERANCES OTHERWISE SPEC. ±0.05		ANGLES ±1°	CHECKED
SCALE N/S		UNIT mm			DESIGNED B.G.YUN
DWG NO.		SMA-504-126			DATE. 25/JUN/2013

