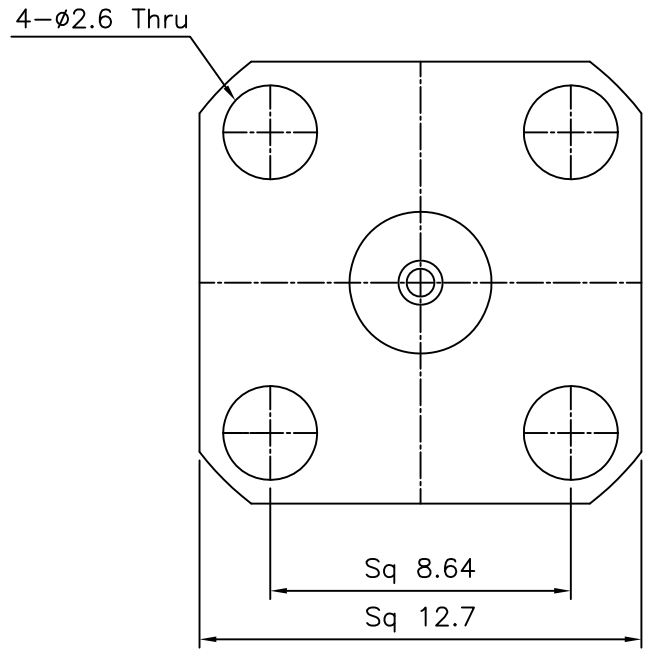
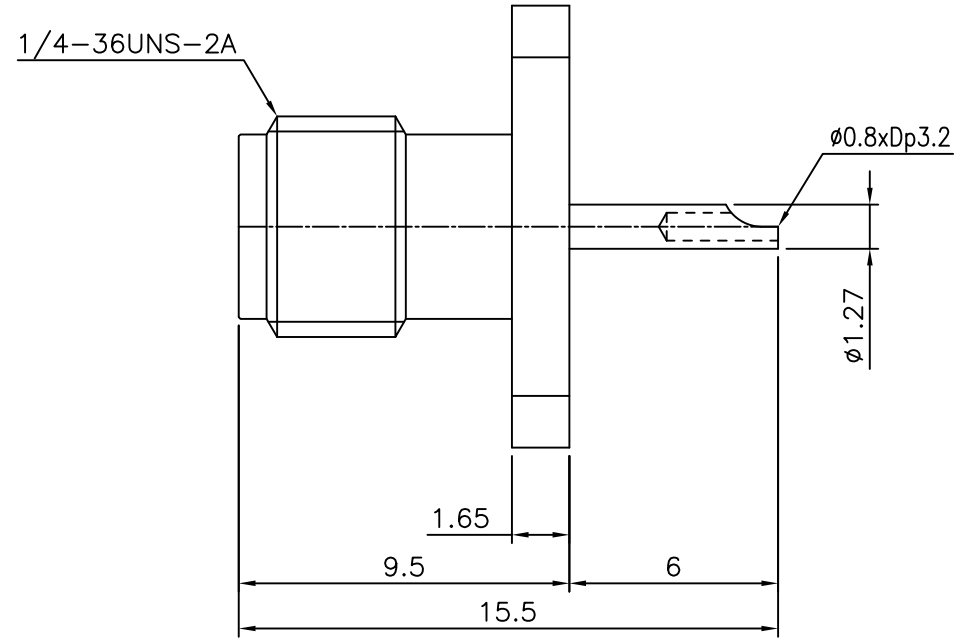


4	5	6	
No.	Revision	Date	Name
△	PN Change from 1S-509-0060	10/FEB/2014	S.J.PARK
△			

RoHS Compliant

D  
C  
B  
A



Connector parts	Materials	Finish
Body	Brass	Gold plated
Center contact	Beryllium copper	Gold plated
Insulator	PTFE	-

SMA-4H PANEL LAUNCHERS,  
Straight JACK

NO.	DESCRIPTION	Q'TY	MATERIAL	FINISH	REMARKS.
PARTS No.	SMA-504-007	NAME		SMA-SJ-4H	APPROVED
MATERIAL	FINISH	TOLERANCES		OTHERWISE SPEC. ±0.05	ANGLES ±1°
CHECKED		SCALE	UNIT	mm	DESIGNED S.J.LEE
DWG NO.		SMA-504-007		DATE 29/MAY/2007	

CUSTOMER

