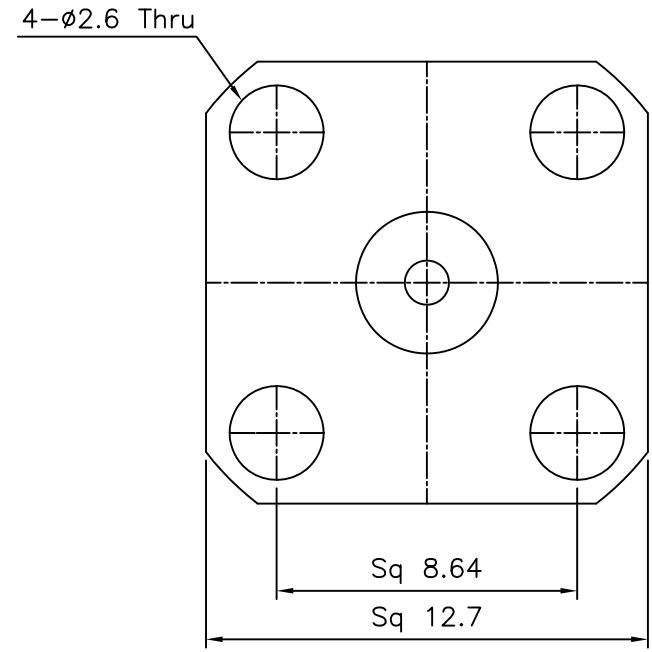
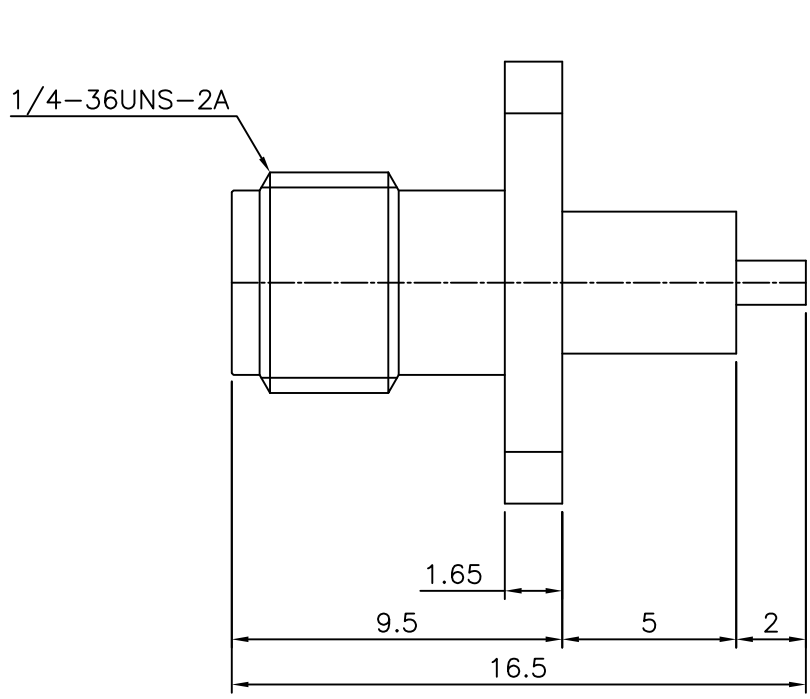


No.	Revision	Date	Name
△1	PN Change from 1S-505-5020	10/FEB/2014	S.J.PARK
△			

RoHS Compliant



Connector parts	Materials	Finish
Body	Brass	Gold plated
Center contact	Beryllium copper	Gold plated
Insulator	PTFE	-

SMA-4H PANEL LAUNCHERS,  
Straight JACK

NO.	DESCRIPTION	Q'TY	MATERIAL	FINISH	REMARKS.
PARTS No.	SMA-504-004		NAME	SMA-SJ-4H	APPROVED
MATERIAL	FINISH	TOLERANCES OTHERWISE SPEC. ±0.05		ANGLES ±1°	CHECKED
SCALE		UNIT	mm		DESIGNED S.J.LEE
DWG NO.		SMA-504-004			DATE 29/MAY/2007

**CUSTOMER**

