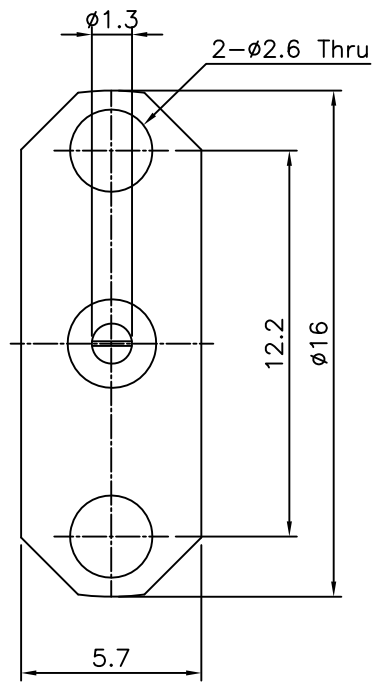
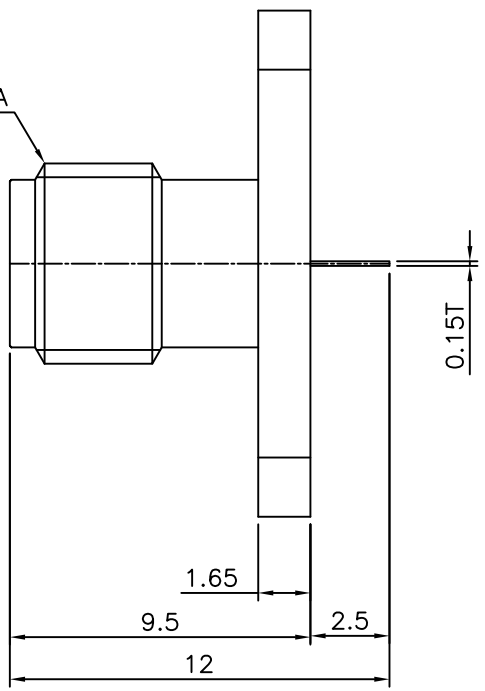


4	No.	Revision	5	Date	6	Name
	△	PN Change from 1S-503-0025		10/FEB/2014		S.J.PARK
	△					

RoHS Compliant

1/4-36UNS-2A



Connector parts	Materials	Finish
Body	Brass	Gold plated
Center contact	Beryllium copper	Gold plated
Insulator	PTFE	-

SMA-2H PANEL JACK RECEPTACLE

NO.	DESCRIPTION	Q'TY	MATERIAL	FINISH	REMARKS.
PARTS No.	SMA-502-003	NAME	SMA-SJ 2H RECEP		APPROVED
MATERIAL	FINISH	TOLERANCES OTHERWISE SPEC. ±0.05		ANGLES ±1°	CHECKED
SCALE		UNIT	mm		DESIGNED S.J.LEE
DWG NO.		SMA-502-003		DATE	29/MAY/2007

CUSTOMER

