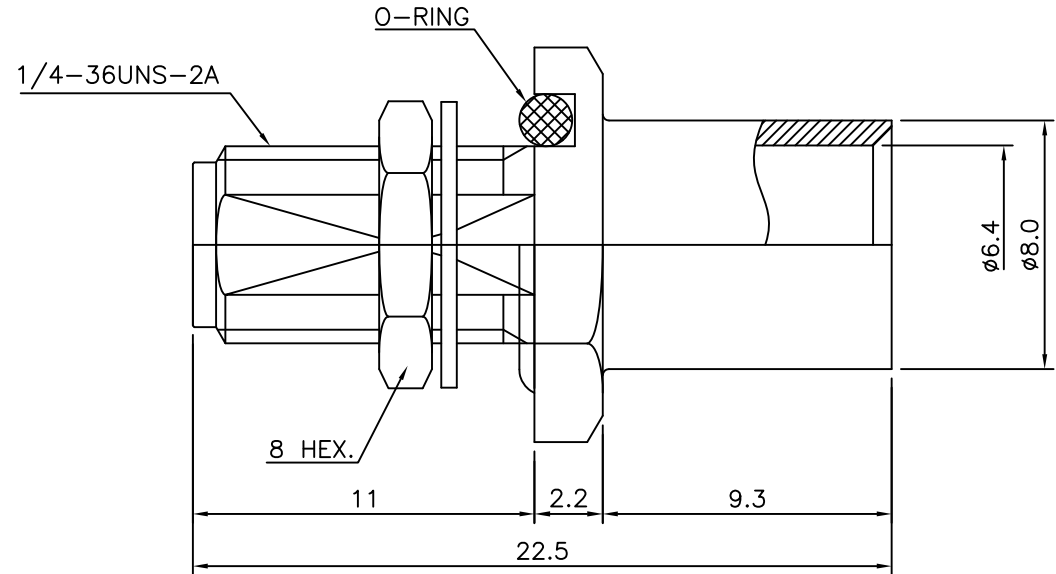
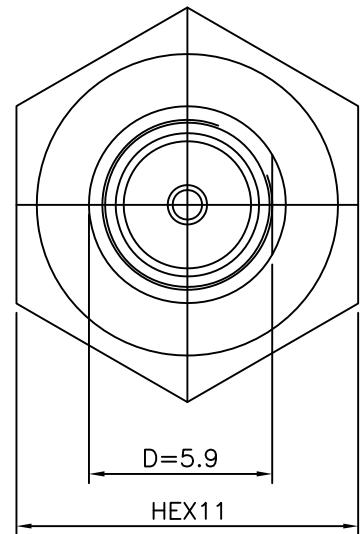


4	No.	Revision	5	Date	6	Name
	▲					
	▲					

RoHS Compliant



D
C
B
A

Connector parts	Materials	Finish
Body,Nut,Washer	Brass	Gold Plated
Center contact	Beryllium copper	Gold Plated
Insulator	PTFE	-
O-Ring	Silicone rubber	-

SMA-Bulkhead JACK
for Cable-UT250 with SEAL

NO.	DESCRIPTION	Q'TY	MATERIAL	FINISH	REMARKS.
PARTS No.	SMA-403-002		NAME	SMA-BJ-250	APPROVED
MATERIAL	FINISH	TOLERANCES OTHERWISE SPEC. ±0.05		ANGLES ±1°	CHECKED
SCALE		UNIT	mm		DESIGNED S.J.LEE
DWG NO.		SMA-403-002		DATE.	22/MAY/2011

CUSTOMER

