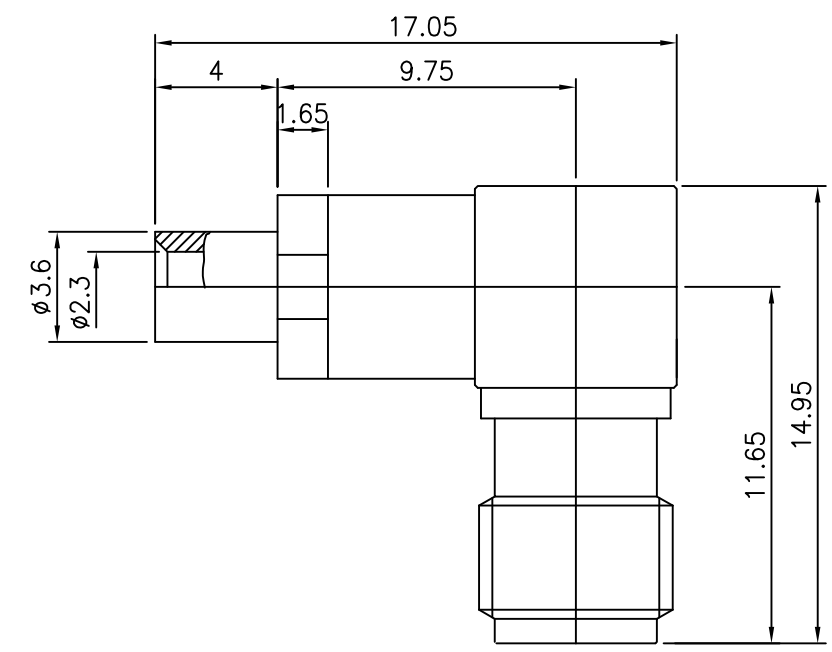
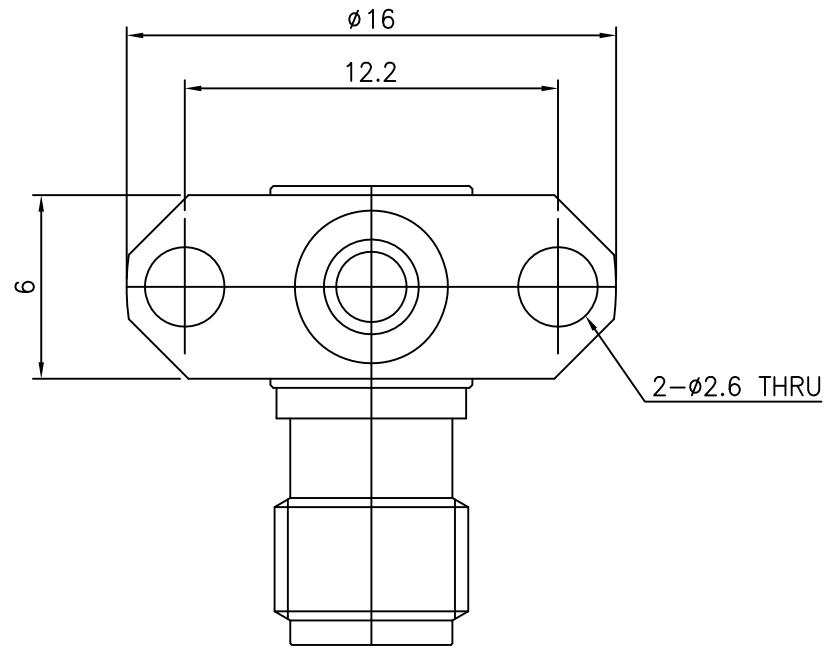


4	5	6	
No.	Revision	Date	Name
△	PN Change from 1S-417-085	10/FEB/2014	S.J.PARK
△			



SMA Raight Angle PANEL-2H JACK
for Cable-UT085

Item	Materials	Plating
Body	Brass	Gold Plated
Center contact	Beryllium copper	Gold Plated
Insulator	TEFLON	-

CUSTOMER

NO.	DESCRIPTION	Q'TY	MATERIAL	FINISH	REMARKS.
PARTS No.	SMA-401-005	NAME	SMA-LJ 2H-085		APPROVED
MATERIAL	FINISH	TOLERANCES OTHERWISE SPEC. ±0.05		ANGLES ±1°	CHECKED
SCALE N/S		UNIT mm			DESIGNED S.J.LEE
DWG NO.		SMA-401-005		DATE.	27/DEC/2005

