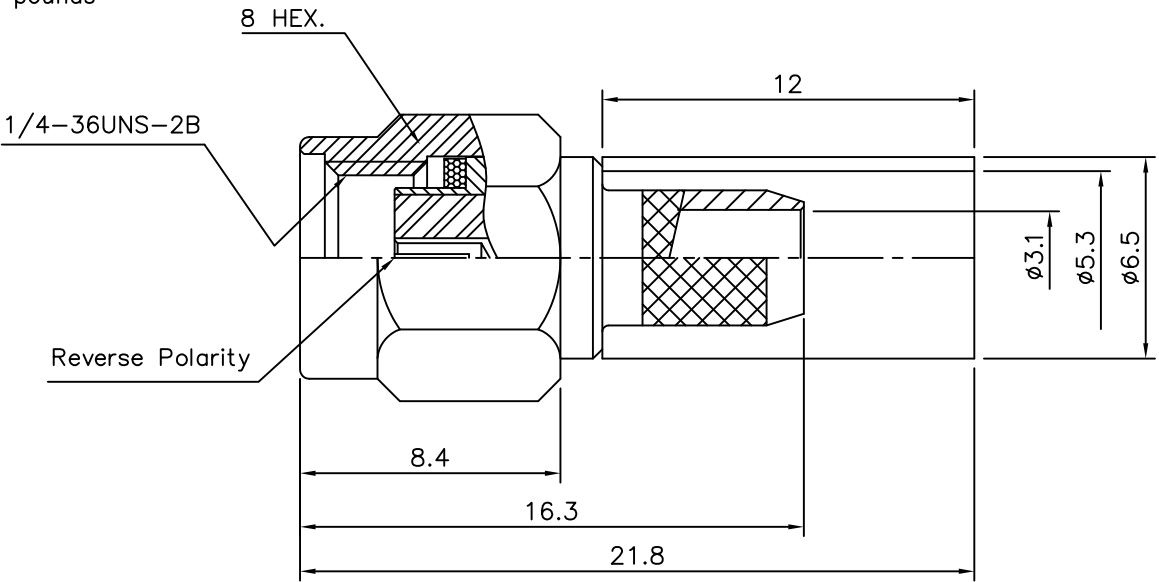


No.	Revision	Date	Name
▲			
▲			

SPECIFICATIONS.

- 1.1 Impedance: 50ohm
- 1.2 Frequency Range: per cable per MIL-C-17
- 1.3 Working Voltage rating: 335 Vrms
- 1.4 Dielectric Withstanding Voltage: 1000 Vrms
- 1.5 VSWR: 1.2:1 Max
- 1.6 Insulation Resistance: 5,000 megohms
- 1.7 Connector Durability: 500 mating
- 1.8 Coupling proof torque: min. 15 inch-pounds
- 1.9 Temperature Range: -45°C~+155°C

RoHS Compliant



SMA-Stright-PLUG
Reverse Polarity
for Cable:RG58,LMR195

Connector parts	Materials	Finish
Coupling Cap	Brass	Nickel Plated
Body	Brass	Nickel Plated
Center contact	BeCu	Gold Plated
Ferrule	Brass	Nickel Plated
Insulator	PTFE	-

CUSTOMER

NO.	DESCRIPTION	Q'TY	MATERIAL	FINISH	REMARKS.
PARTS No.	SMA-112-024	NAME	SMA-SP58		APPROVED
MATERIAL	FINISH	TOLERANCES	OTHERWISE SPEC. ±0.05 ANGLES ±1°		CHECKED
SCALE	N/S	UNIT	mm		DESIGNED S.J.LEE
DWG NO.	SMA-112-024	DATE.			27/JAN/2007

DONGJIN TI.