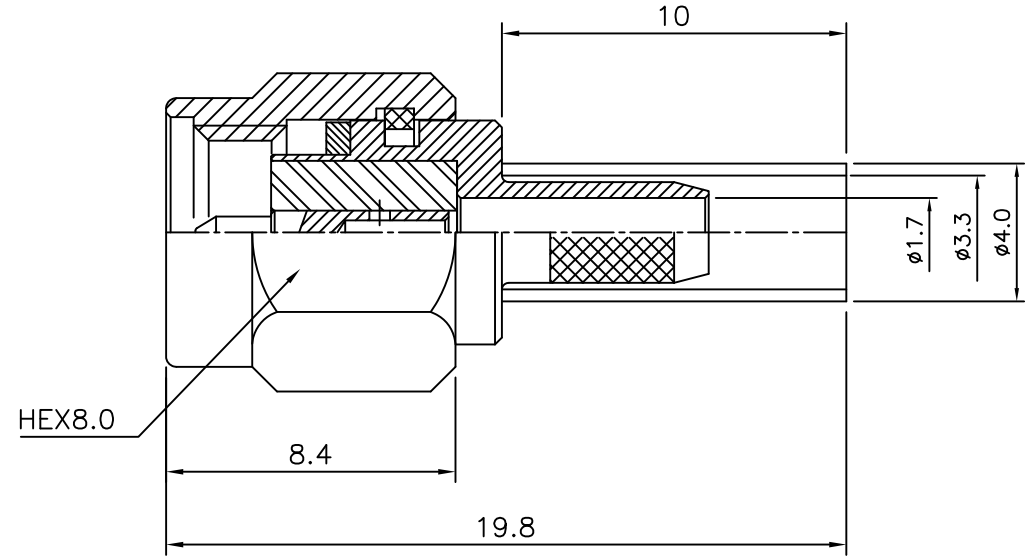


4	5	6	
No.	Revision	Date	Name
△	PN Change from 1S-111-01	26/06/2013	B.G.YUN
△			

**SPECIFICATIONS**

Impedance ; 50ohm  
 Frequency ; DC~12.4GHz  
 Temperature range : -55°C to +155°C  
 2002/95/EC (RoHS) : Compliant

RoHS Compliant



**SMA-Stright-PLUG**  
 for Cable:RG316D/S, LMR100

Connector parts	Materials	Finish
Coupling Cap	Brass	Gold Plated
Body	Brass	Gold Plated
Center contact	Brass	Gold Plated
Ferrule	Brass	Gold Plated
Insulator	PTFE	-
Gasket	Silicone rubber	-

NO.	DESCRIPTION	Q'TY	MATERIAL	FINISH	REMARKS.
PARTS No.	SMA-111-005		NAME	SMA-SP-RG316D	APPROVED
MATERIAL	FINISH	TOLERANCES OTHERWISE SPEC. ±0.05		ANGLES ±1°	CHECKED
SCALE		UNIT	DESIGNED		S.J.LEE
N/S		mm	DATE.		
DWG NO.		SMA-111-005		24/NOV/2006	

**CUSTOMER**

