

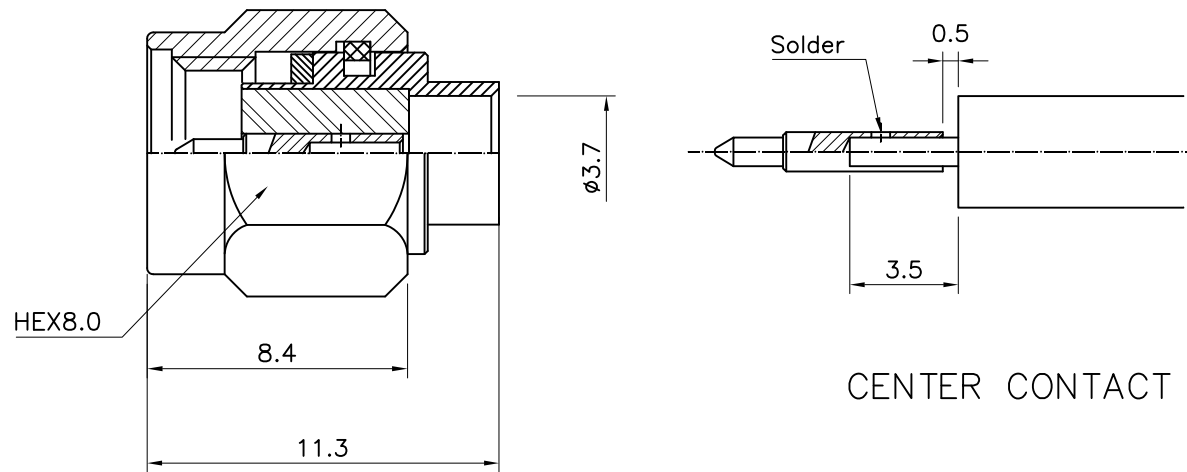
1 2 3 4 5 6

No.	Revision	Date	Name
△	PN Change from 1S-102SG-00	21/06/2013	B.G.YUN
△			

SPECIFICATIONS

Impedance ; 50ohm
 Frequency range ; DC~18GHz
 Insertion loss ; 0.15dB max@18GHz
 V.S.W.R ; 1.20:1 max@18GHz
 Temperature range : -55°C to +155°C

RoHS Compliant



CENTER CONTACT ASS'Y

SMA-Straight-PLUG
 for Cable-UT141

Connector parts	Materials	Finish
Coupling Cap	Stainless steel	Gold Plated
Body	Stainless steel	Gold Plated
Center contact	Brass	Gold Plated
Insulator	PTFE	-
Gasket	Silicone rubber	-

CUSTOMER

NO.	DESCRIPTION	Q'TY	MATERIAL	FINISH	REMARKS.
PARTS No.	SMA-102-017		NAME	SMA-SP-141	APPROVED
MATERIAL	FINISH	TOLERANCES OTHERWISE SPEC. ±0.05		ANGLES ±1°	CHECKED
		SCALE	UNIT mm		DESIGNED S.J.LEE
DONGJIN TI.		DWG NO.		SMA-102-017	DATE. 21/SEP/2011