

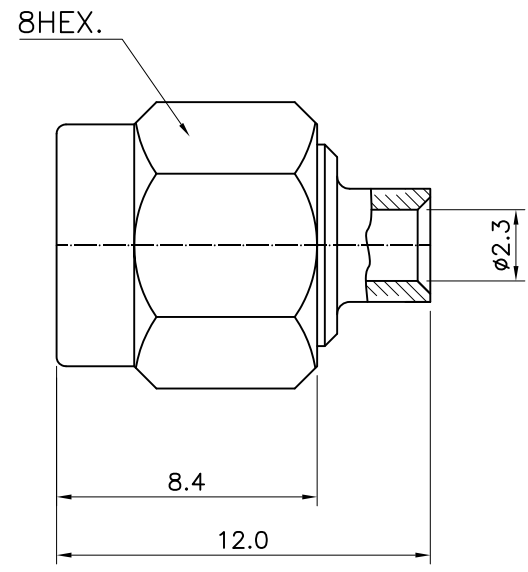
1                      2                      3                      4                      5                      6

No.	Revision	Date	Name
△	PN Change from 1S-101SG-00	01/10/2013	B.G.YUN
△			

**SPECIFICATIONS**

Impedance ; 50ohm  
 Frequency range ; DC~18GHz  
 Insertion loss ; 0.15dB max@18GHz  
 V.S.W.R ; 1.25:1 max@18GHz  
 Temperature range : -55°C to +155°C

RoHS Compliant



SMA-Straight-PLUG  
for Cable-UT085

Connector parts	Materials	Finish
Coupling Cap	Stainless steel	Gold Plated
Body	Stainless steel	Gold Plated
Center contact	Brass	Gold Plated
Insulator	PTFE	-

NO.	DESCRIPTION	Q'TY	MATERIAL	FINISH	REMARKS.
PARTS No.	SMA-101-009		NAME	SMA-SP-085	APPROVED
MATERIAL	FINISH	TOLERANCES OTHERWISE SPEC. ±0.05		ANGLES ±1°	CHECKED
SCALE		UNIT	mm		DESIGNED S.J.LEE
DWG NO.		SMA-101-009		DATE. 28/JAN/2008	

**CUSTOMER**

