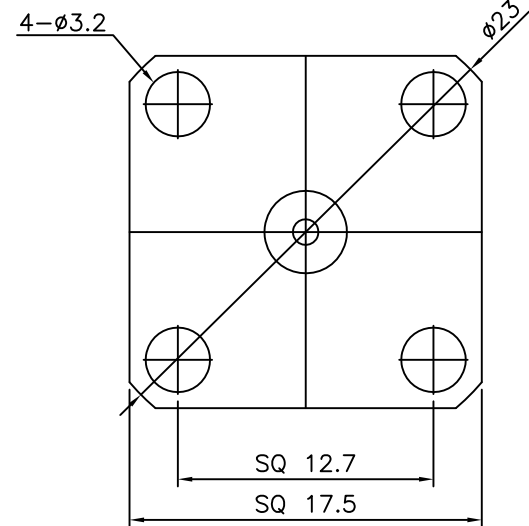
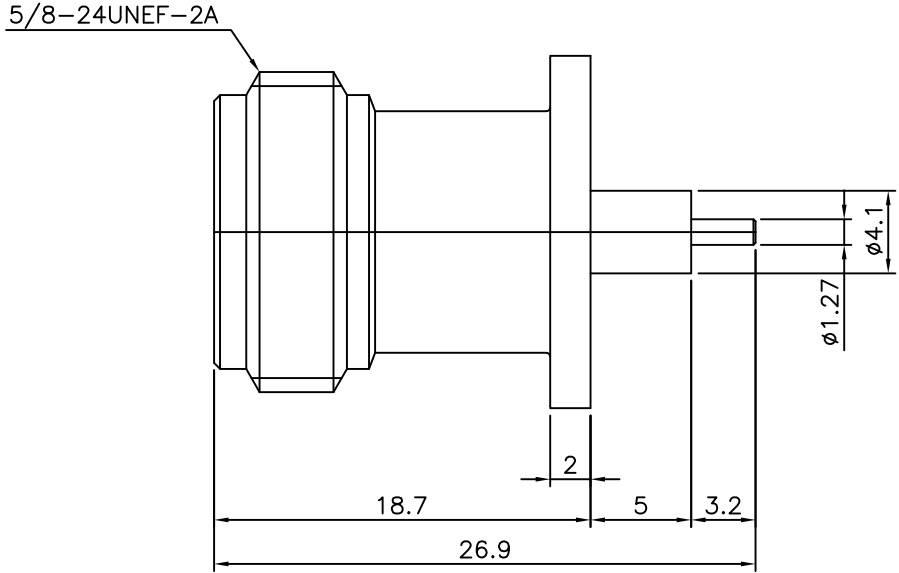


4	5	6	
No.	Revision	Date	Name
△	PN Change from 1N-513-5032	29/JAN/2014	S.J.PARK
△			

RoHS Compliant



N-Type Panel Receptacle
JACK-4H SQ17.5

Connector parts	Materials	Finish
Body	Brass	Nickel Plated
Center contact	Beryllium copper	Gold Plated
Insulator	Teflon	-

NO.	DESCRIPTION	Q'TY	MATERIAL	FINISH	REMARKS.
PARTS No.	N-504-070	NAME	N-F4H Receptacle		APPROVED
MATERIAL	FINISH	TOLERANCES OTHERWISE SPEC. ±0.05		ANGLES ±1°	CHECKED
SCALE		UNIT	mm		DESIGNED S.J.LEE
DWG NO.		N-504-070		DATE.	03/MAY/2010

CUSTOMER

