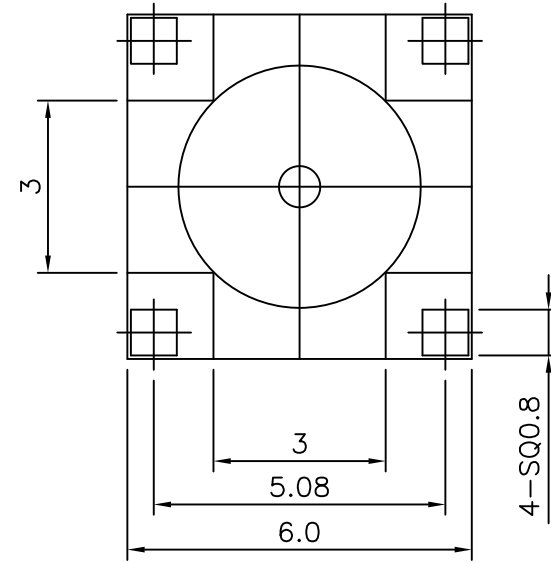
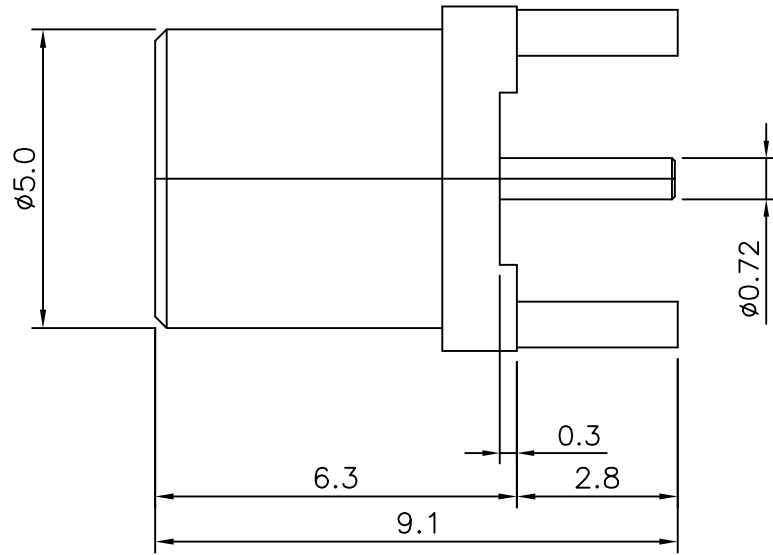


4	5	6	
No.	Revision	Date	Name
△1	PN Change from 1M75-501-0328	13/FEB/2014	S.J.PARK
△			



Item	Materials	Plating
Body	Brass	Gold Plated
Center contact	Be-Cu	Gold Plated
Insulator	PTFE	-

MCX Straight-PCB JACK (75 Ohm)

NO.	DESCRIPTION	Q'TY	MATERIAL	FINISH	REMARKS.
PARTS No.	MCX75-602-001	NAME	MCX-SJ-PCB(750Hm)		APPROVED
MATERIAL	FINISH	TOLERANCES		OTHERWISE SPEC. ± 0.05	ANGLES $\pm 1^\circ$
SCALE		UNIT	mm		DESIGNED
DWG NO.		MCX75-602-001		DATE.	2001.04.05

CUSTOMER



DONGJIN TI.