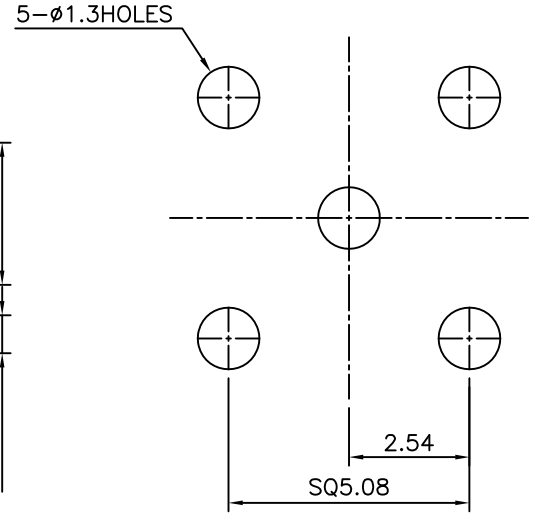
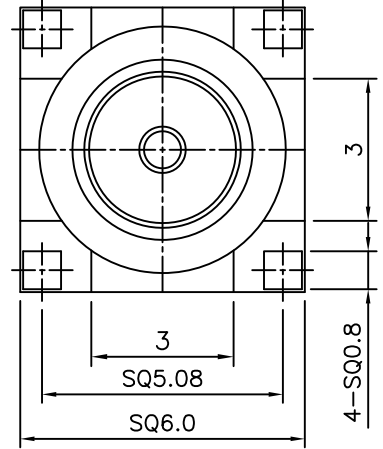
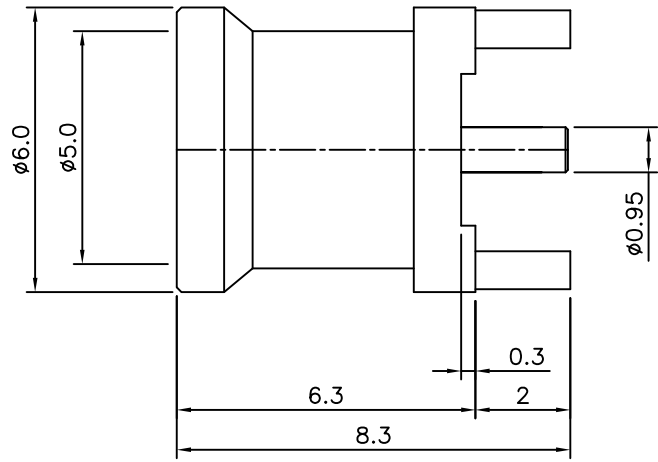


4	No.	Revision	5	Date	6
	▲	PN Change from 1M-501S-01		12/FEB/2014	S.J.PARK
	▲				

RoHS Compliant



PCB MOUNT HOLES

Item	Materials	Plating
Body	Brass	Gold Plated
Center contact	Be-Cu	Gold Plated
Insulator	PTFE	-

MCX Straight JACK PCB
(TRUMPET-TYPE)

NO.	DESCRIPTION	Q'TY	MATERIAL	FINISH	REMARKS.
PARTS No.	MCX-602-003		NAME	MCX-SJ PCB	APPROVED
MATERIAL	FINISH	TOLERANCES		OTHERWISE SPEC. ±0.05	ANGLES ±1°
SCALE		UNIT	mm		DESIGNED
DWG NO.		MCX-602-003		DATE.	2004.04.05

CUSTOMER

