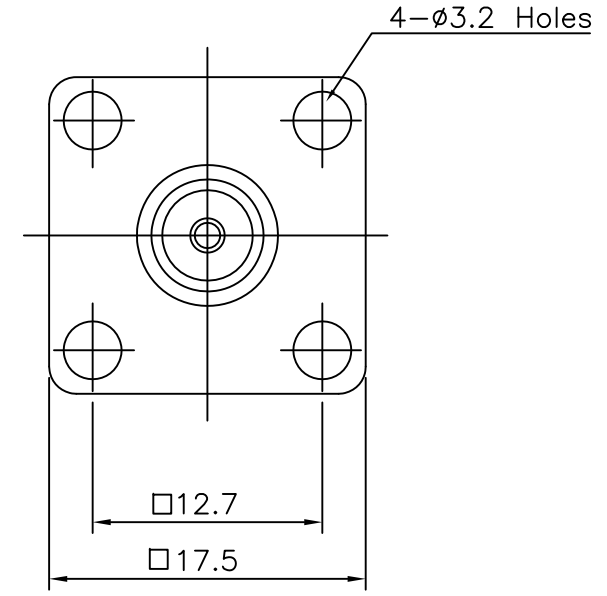
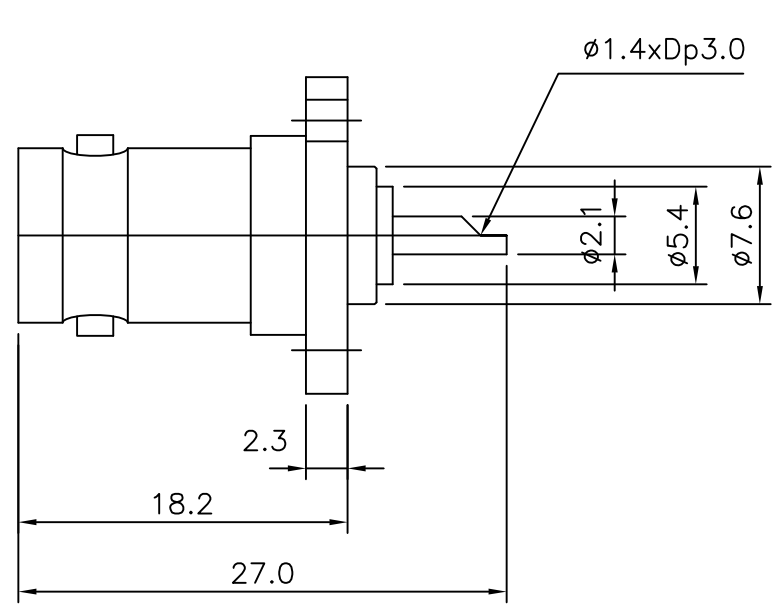


1	2	3	4	5	6	
			No.	Revision	Date	Name
			▲	PN Change form 1B-512-00	20/12/2013	B.G.YUN
			▲			

RoHS Compliant



BNC PANEL-4Holes JACK
Receptacle for Solder pot

Item	Materials	Plating
Body	Brass	Nickel Plated
Center contact	Be-Cu	Gold Plated
Insulator	PTFE	-

CUSTOMER

NO.	DESCRIPTION	Q'TY	MATERIAL	FINISH	REMARKS.
PARTS No.	BNC-504-001		NAME	BNC-F4H RECEP.	APPROVED
MATERIAL	FINISH	TOLERANCES		OTHERWISE SPEC. ± 0.05	ANGLES $\pm 1^\circ$
SCALE		N/S	UNIT	mm	DESIGNED S.J.LEE
DWG NO.		BNC-504-001		DATE.	03/SEP/2008

