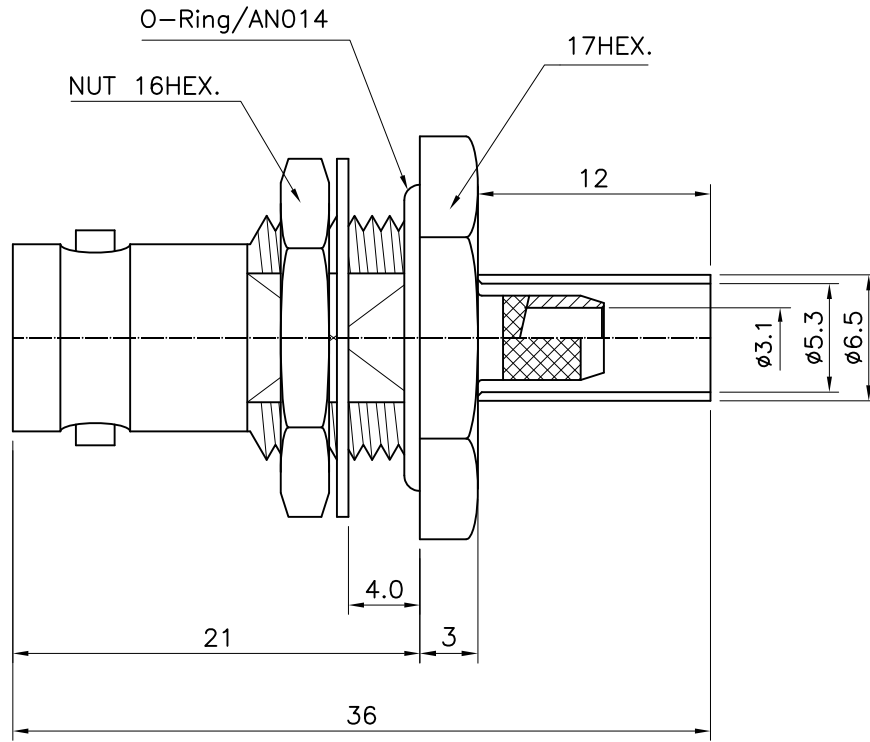


4	5	6	
No.	Revision	Date	Name
△	PN Change from 1B-412-58	17/06/2013	B.G.YUN
△			



RoHS Compliant

MOUNTING HOLES

BNC-Bulkhead Rear Mount JACK
w/h Panel SEAL
for Cable-RG58

Item	Materials	Plating
Body	Brass	Nickel Plated
Center contact	Be-Cu	Gold Plated
Ferrule	Brass	Nickel Plated
Insulator	PTFE	-
O-Ring	Silicone rubber	-

CUSTOMER

NO.	DESCRIPTION	Q'TY	MATERIAL	FINISH	REMARKS.
PARTS No.	BNC-412-002	NAME	BNC-BHR/J-58		APPROVED
MATERIAL	FINISH	TOLERANCES OTHERWISE SPEC. ±0.05		ANGLES ±1°	CHECKED
SCALE		UNIT	mm		DESIGNED S.J.LEE
DWG NO.		BNC-412-002		DATE.	30/MAR/2007

