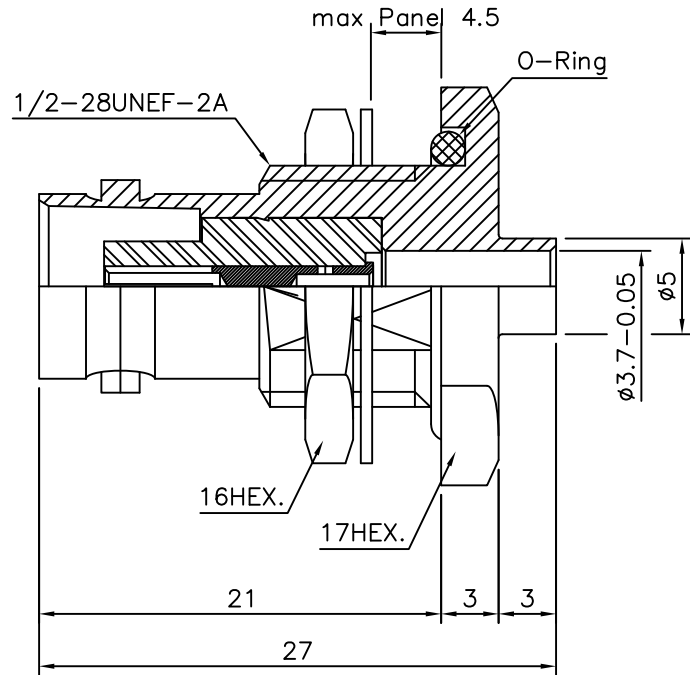
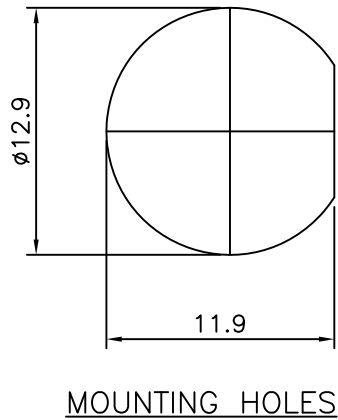


4	5	6
No.	Revision	Date
△		
△		

RoHS Compliant



BNC-Bulkhead Rear Mount JACK
with Panel SEAL (IP67)
for Cable-UT141

Item	Materials	Plating
Body,Nut,Washer	Brass	Nickel Plated
Center contact	Be-Cu	Gold Plated
Insulator	PTFE	-
O-Ring	Silicone rubber	-

NO.	DESCRIPTION	Q'TY	MATERIAL	FINISH	REMARKS.
PARTS No.	BNC-402-003	NAME	BNC-BJ 141		APPROVED
MATERIAL	FINISH	TOLERANCES OTHERWISE SPEC. ±0.05		ANGLES ±1°	CHECKED
SCALE		UNIT	mm		DESIGNED S.J.LEE
DWG NO.		BNC-402-003		DATE.	06/SEP/2007

CUSTOMER

