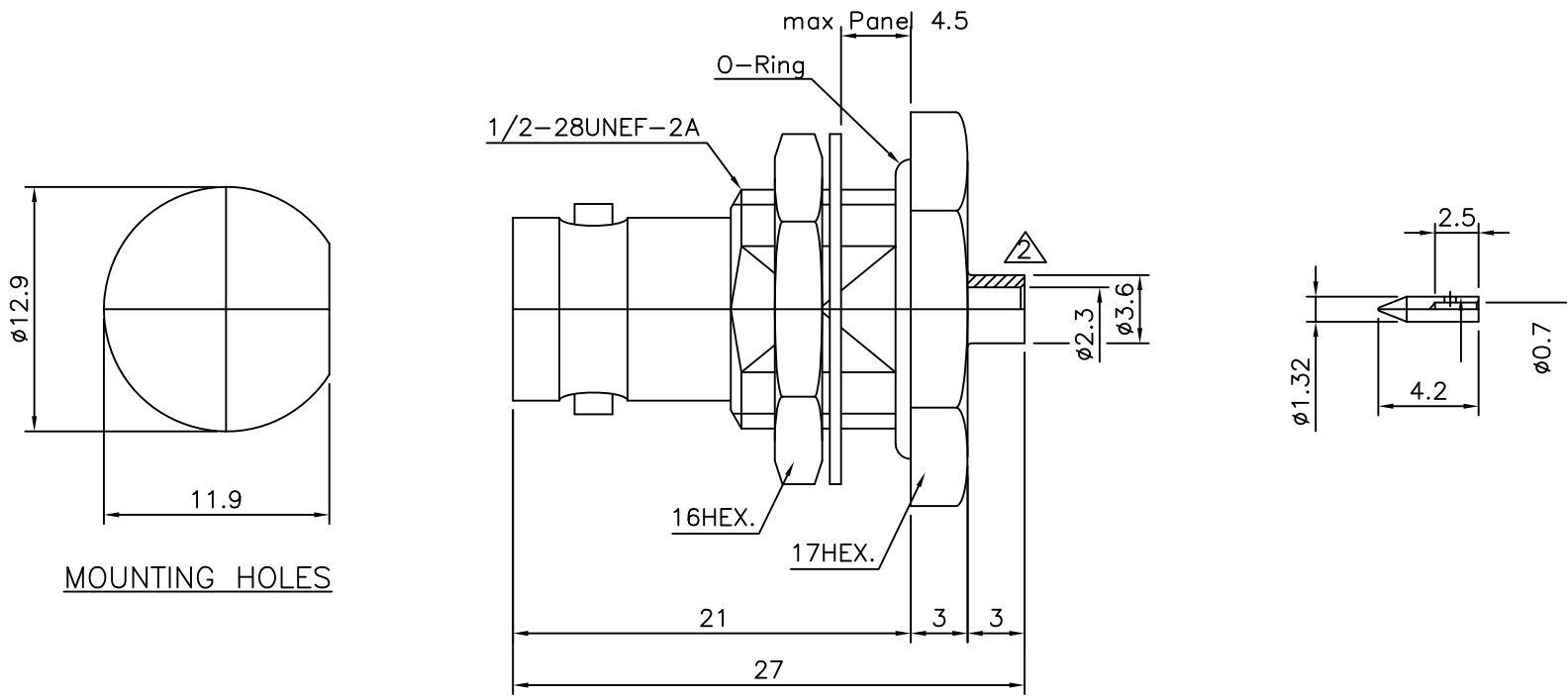


No.	Revision	Date	Name
1	PN Change from 1B-401-00	14/FEB/2014	S.J.PARK
2	Cable entry change	14/FEB/2014	S.J.PARK

RoHS Compliant



BNC-Bulkhead Rear Mount JACK
with Panel SEAL (IP67)
for Cable-UT085

Item	Materials	Plating
Body,Nut,Washer	Brass	Nickel Plated
Center contact	Be-Cu	Gold Plated
Ferrule	Brass	Nickel Plated
Insulator	PTFE	-
O-Ring	Silicone rubber	-

CUSTOMER

NO.	DESCRIPTION	Q'TY	MATERIAL	FINISH	REMARKS.
PARTS No.	BNC-401-001	NAME	BNC-BJ 085		APPROVED
MATERIAL	FINISH	TOLERANCES OTHERWISE SPEC. ±0.05		ANGLES ±1°	CHECKED
SCALE		UNIT	mm		DESIGNED S.J.LEE
DWG NO.		BNC-401-001		DATE.	06/SEP/2007

