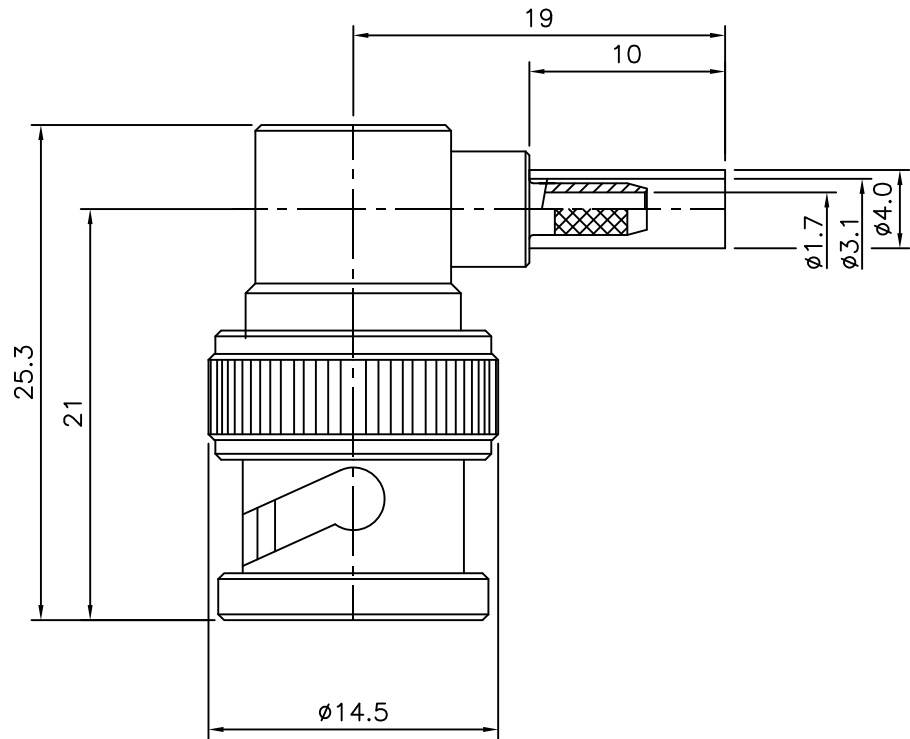


No.	Revision	Date	Name
△	PN Change from 1B-311-00	25/JUL/2013	S.J.PARK
△			

RoHS Compliant



BNC-Right angle-PLUG
for Cable-RG316

Connector parts	Materials	Finish
Coupling Cap	Zinc	Nickel Plated
Body	Brass	Nickel Plated
Center contact	Brass	Gold Plated
Ferrule	Brass	Nickel Plated
Insulator	PTFE	-

CUSTOMER

NO.	DESCRIPTION	Q'TY	MATERIAL	FINISH	REMARKS.
PARTS No.	BNC-311-001		NAME BNC-RA PLUG RG316		APPROVED
MATERIAL	FINISH	TOLERANCES OTHERWISE SPEC. ±0.05		ANGLES ±1°	CHECKED
		SCALE	UNIT mm		DESIGNED S.J.LEE
		DWG NO. BNC-311-001		DATE. 21/NOV/2006	

