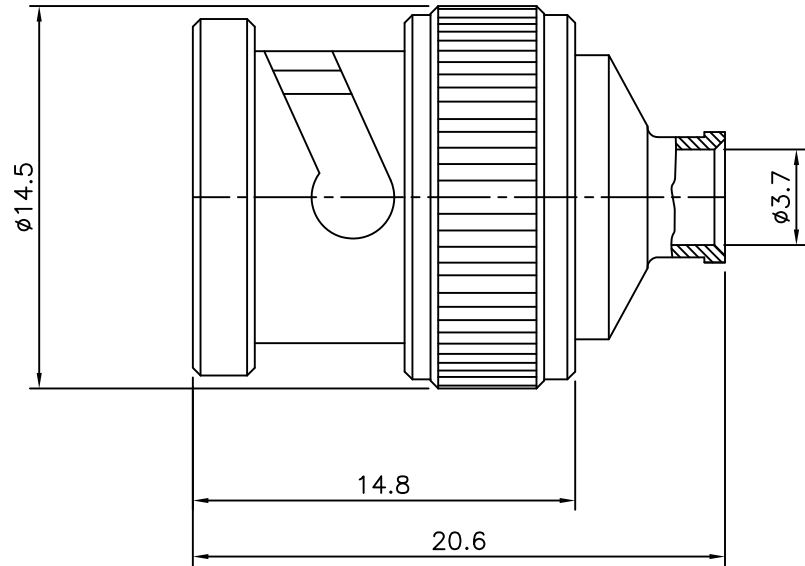


4	No.	Revision	5	Date	6
	△	PN Change from 1B-102-00		28/JAN/2014	S.J.PARK
	△				

RoHS Compliant



BNC-Straight-PLUG
for Cable-UT141

Connector parts	Materials	Finish
Coupling Cap	Zinc	Nickel Plated
Body	Brass	Nickel Plated
Center contact	Brass	Gold Plated
Insulator	PTFE	-

NO.	DESCRIPTION	Q'TY	MATERIAL	FINISH	REMARKS.
PARTS No.	BNC-102-001		NAME	BNC-SP-141	APPROVED
MATERIAL	FINISH	TOLERANCES OTHERWISE SPEC. ±0.05		ANGLES ±1°	CHECKED
SCALE		UNIT	mm		DESIGNED S.J.LEE
DWG NO.		BNC-102-001		DATE.	2001.05/07

CUSTOMER

